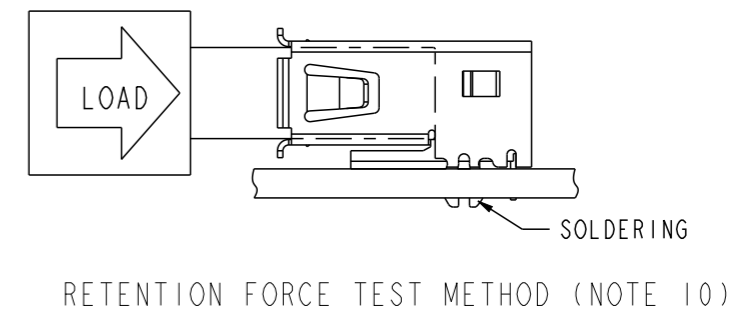
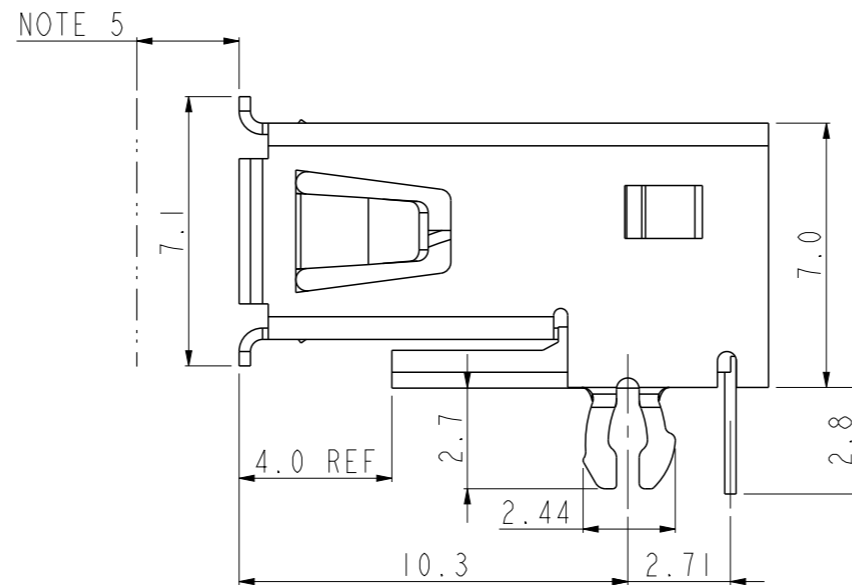
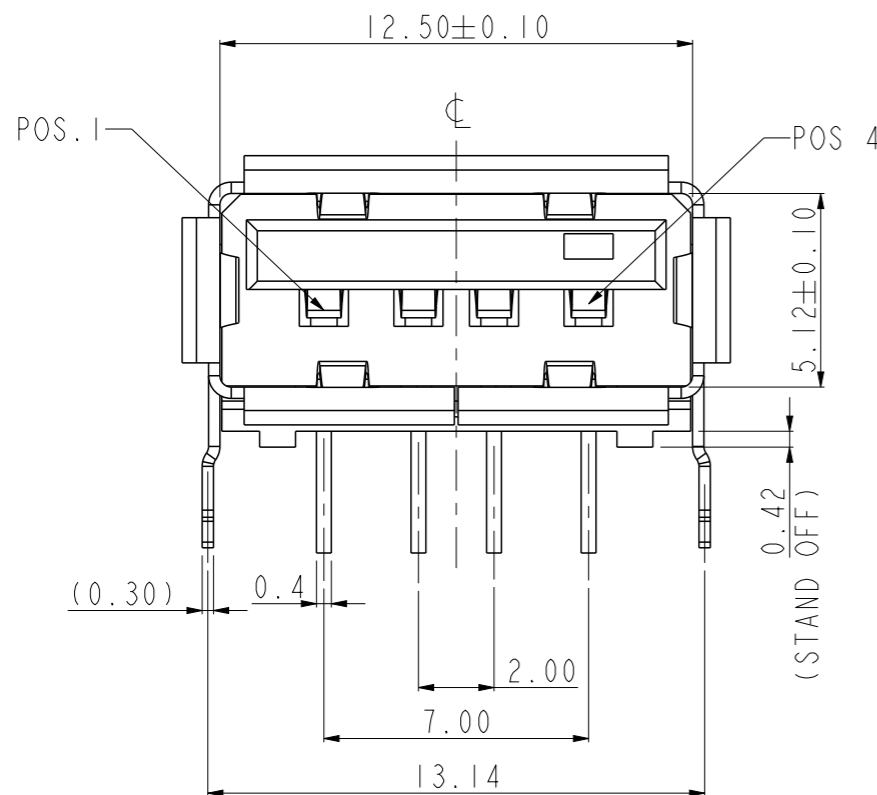
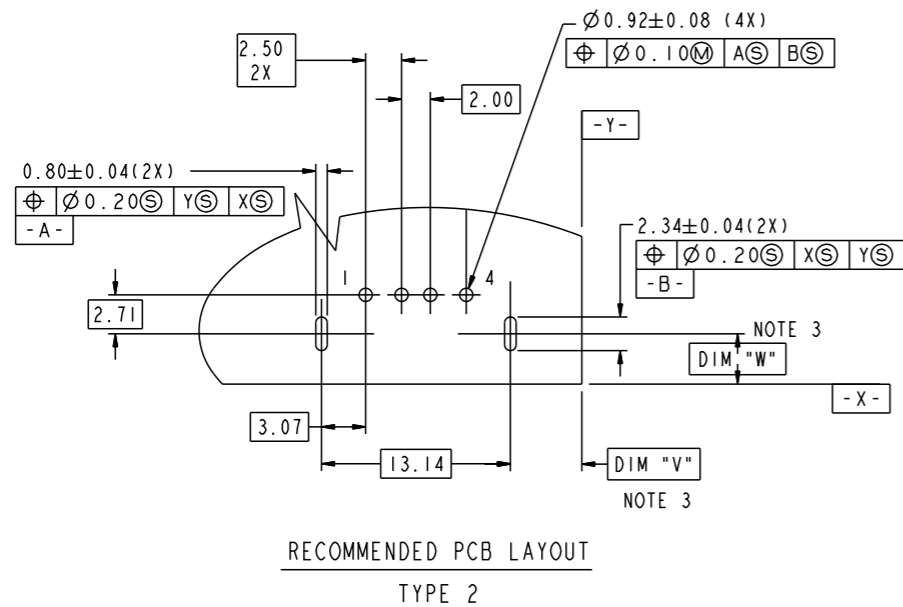
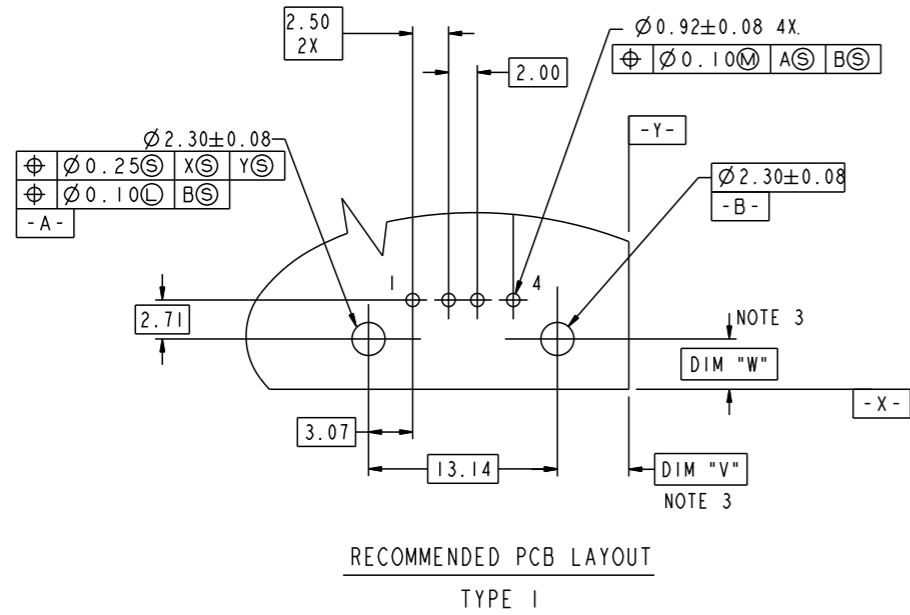


NOTES:

- MATERIAL:
CONTACTS: COPPER ALLOY
SHELL: COPPER ALLOY
HOUSING: UL 94V-0 RATED, HIGHT TEMPERATURE THERMOPLASTIC;
- PLATING:
CONTACTS: SEE PRODUCT NUMBER CODE
SHELL: SEE PRODUCT NUMBER CODE;
- DATUM AND BASIC DIMENSIONS ESTABLISHED BY CUSTOMER;
- RECOMMENDED PC BOARD THICKNESS OF 1.57mm
- 2.67mm MAXIMUM PANEL THICKNESS IF MOUNTED BEHIND PANEL;
- PRODUCT SPEC GS-12-095
- PACKING STANDARD GS-14-920, WILL BE APPLIED FOR LEAD FREE P/N'S;
- THE PRODUCT MEET EUROPEAN UNION DIRECTIVES AND OTHER COUNTRY REGULATION AS DESCRIBED IN GS-22-008;
- THE HOUSING WILL WITHSTAND EXPOSURE TO 260~C PEAK TERMERATURE FOR 20 SECONDS IN A CONVECTION, INFRO-RED OR VAPOR PHASE REFLOW OVEN;
- HOUSING PULL OFF THE SHELL RETENTION FORCE: 250N MIN;
- THE PRODUCT CAN BE USED PIP PROCESS;
- THE PRODUCT CAN PASS 16 HOURS SALT SPRAY TEST.



spec ref	dr	Li-Qing Lei	2014/04/21	projection	MM	size	A3	scale	5.000
tolerance std	eng	Li-Qing Lei	2019/06/03			ecn no	ELX-N-33759-1		
TOLERANCES UNLESS OTHERWISE SPECIFIED						product family	rel level	Released	
surface		linear	0.X	±0.3	Amphenol FCI USB RECEPCTACLE R/A, T/H, A TYPE www.fci.com	dwg no	10129475	rev	B
			0.XX	±0.2					
			0.XXX	±0.1					
	angular	0°	±3°	cat. no.	Product - Customer Drw	sheet 1 of 2			



PRODUCT NUMBER DESCRIPTION

BASE PRODUCT NUMBER	10129475-	X	X	X	X	X	X	LF
HOUSING COLOR								
0 - BLACK								
1 - WHITE								
SHELL TYPE AND SHELL PLATING OPTIONS								
1 - NO BACK SHIELD, NICKEL PLATING ONLY								
EXTENSION								
0 - NONE								
TERMINAL PLATING OPTION								
0 - 1.25um Ni UNDERPLATE								
0.76um GXT CONTACT AREA								
2.50um MATTE TIN TAIL AREA FOR P/N'S								
PACKAGING OPTIONS								
A - TAPE AND REEL								
B - TUBES								
T - TRAY								
DATE CODE								
P - PRINT DATECODE								
N - WHITHOUT DATECODE								
LEAD FREE								

spec ref	dr	Li-Qing Lei	2014/04/21	projection	MM	size	A3	scale	5.000
tolerance std	eng	Li-Qing Lei	2019/06/03			ecn no	ELX-N-33759-1		
TOLERANCES UNLESS OTHERWISE SPECIFIED		chr	-			product family	rel level	Released	
surface	appr	Tim Yao	2019/06/03			dwg no	10129475	rev	B
linear	0.X	±0.3	Amphenol FCI		USB RECEPTACLE				
	0.XX	±0.2			R/A, T/H, A TYPE				
	0.XXX	±0.1							
angular	0°	±3°			cat. no.	Product - Customer Drw		sheet 2 of 2	