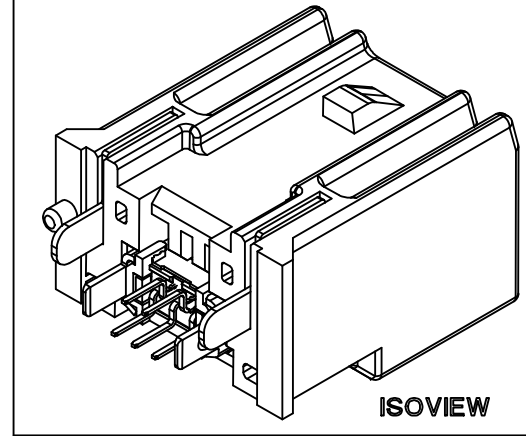


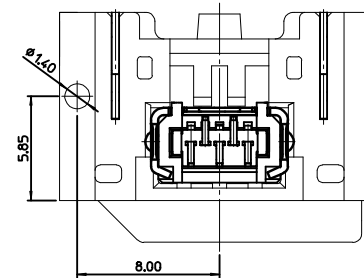
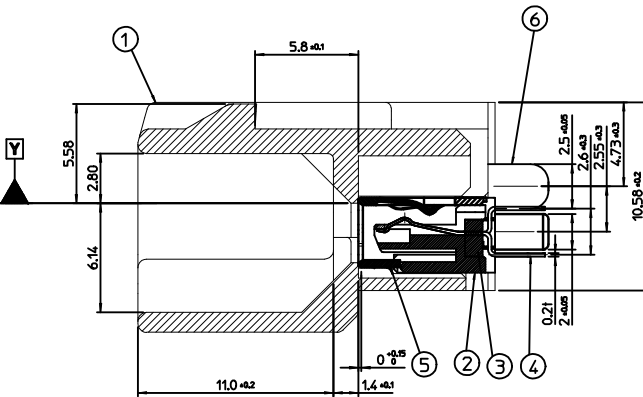
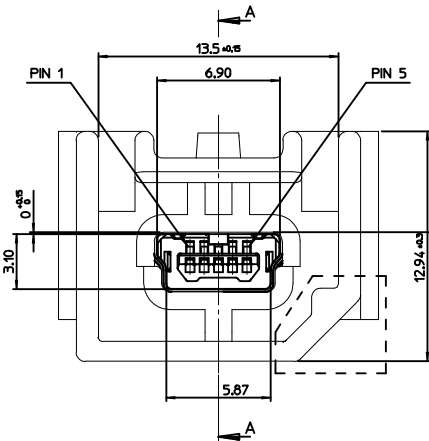
(CONNECTOR MOUNTING AND REVERSE SIDE)

RECOMMENDED PCB LAYOUT



NOTE

- MATES WITH :
(MOLEX SERIES NO. - 111014, 111015, 111005, 111041, 111019, 111020)
- SHROUD GEOMETRY AND ASSEMBLY WITH USB MINI-B CONNECTOR ARE ACCORDING TO USCAR STD 999-U-USB-Z01
- FINISHES
- TERMINAL :
CONTACT AREA : Au 0.754m MIN.
SOLDER TAIL AREA : TIN 3.84m MIN.
UNDER PLATING : NI 1.04m MIN.
- SHIELD CASE :
3.04m MIN. TIN OVER NI 1.04m MIN.
- FITTING NAIL :
3.04m MIN. TIN OVER NI 1.04m MIN.
- UNLESS OTHERWISE SPECIFIED, TYPICAL RECOMMENDED PCB MANUFACTURING TOLERANCE IS ±0.05
- PACKAGING IS TRAY :
(48 PCS/TRAY, 5 TRAY/TRAY BOX, 240 PCS/TRAY BOX, 960 PCS/CARTON BOX)
- PACKAGING IS EMBOSS : PK-104004-005
- PRODUCT SPECIFICATION : PS-49616-001
- PACKAGING INFORMATION : SEE TABLE
- PCB THICKNESS : 2.36mm(REFERENCE)



<TABLE 1>

MATERIAL NO.	ORDER NO.	COLOR	PACKING	PACKING INFO.
1040040905	104004-0905	GRAY	TRAY	PK-104004-003
1040040803	104004-0803	GRAY	T&R	PK-104004-005

<PARTS LIST>

NO.	PART NAME	MATERIAL
1	SHROUD-B	LCP, GLASS FILLED, UL94 V-0
2	RECEPTACLE HOUSING	LCP, GLASS FILLED, UL94 V-0
3	CONTACT HOUSING	LCP, GLASS FILLED, UL94 V-0
4	CONTACT TERMINAL	COPPER ALLOY
5	SHIELD CASE	PHOSPHOR BRONZE
6	BOARD LOCKS PIN	BRASS

REVISED
EC NO: KTR2018-0005
DRAWN: JMK INO2 2017/08/23
CHKD:
APPR: JHJANG 2017/08/31

QUALITY SYMBOLS
▽=0
▽=0
DESCRIPTION
DRAFT WHERE APPLICABLE
MUST REMAIN
WITHIN DIMENSIONS

GENERAL TOLERANCES (UNLESS SPECIFIED)
mm INCH
4 PLACES ± --- ± ---
3 PLACES ± 0 ± ---
2 PLACES ± 0.15 ± ---
1 PLACE ± 0.25 ± ---
ANGULAR ± 1°
DIMENSION STYLE
MM ONLY
DRAWN BY S.M.KIM DATE 2009/06/17
CHECKED BY B.C.YOON DATE 2009/06/17
APPROVED BY JYCHOI DATE 2013/01/07
MATERIAL NO. SEE TABLE 1
SIZE A 2

SCALE DESIGN UNITS METRIC THIRD ANGLE PROJECTION
TITLE
USCAR USB MINI B CONN
VERTICAL B
(LONG TERMINAL VERSION)
MOLEX MOLEX INCORPORATED
DOCUMENT NO. SD-104004-007
SHEET NO. 1 OF 1
THIS DRAWING CONTAINS INFORMATION THAT IS PROPRIETARY TO MOLEX INCORPORATED AND SHOULD NOT BE USED WITHOUT WRITTEN PERMISSION