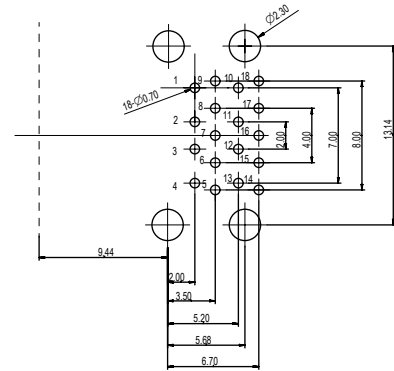
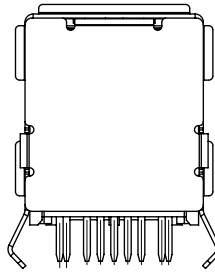
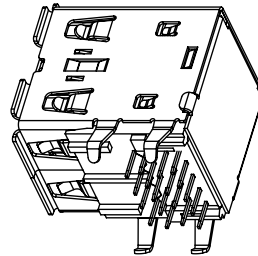
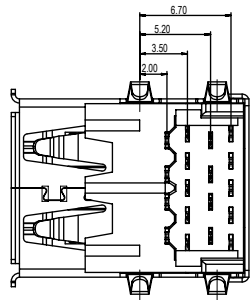
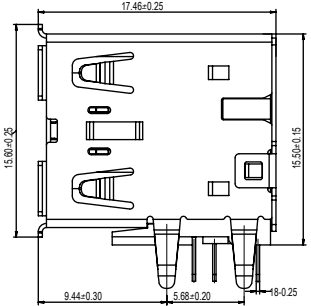
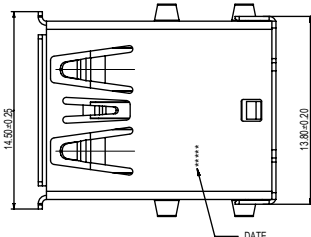
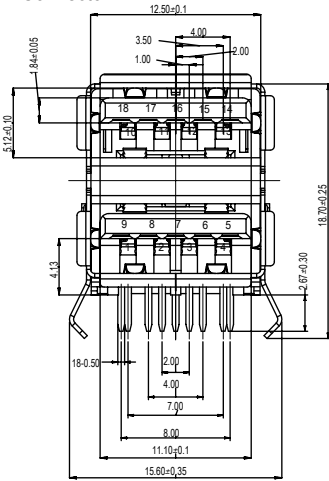


Pin Number	Signal Name	Description
1,10	VBUS	Power
2,11	D-	USB2.0 differential pair
3,12	D+	
4,13	GND	Ground for power return
5,14	StdA_SSRX-	SuperSpeed receiver differential pair
6,15	StdA_SSRX+	
7,16	GND_DRAIN	Ground for signal return
8,17	StdA_SSTX-	SuperSpeed transmitter differential pair
9,18	StdA_SSTX+	
Shell	Shield	Connector metal shell

USB3.0 Standard-A Connector
Pin Assignments



RECOMMEND P.C.B LAYOUT (THICKNESS=1.2mm)
(COMPONENT SIDE) TOLERANCE=±0.05

- NOTES:
1. MATERIAL:
HOUSING: THERMOPLASTIC, GLASS FIBER FILLED, HALOGEN FREE, UL94-HB, COLOR: BLUE.
COVER: THERMOPLASTIC, GLASS FIBER FILLED, HALOGEN FREE, UL94-HB, COLOR: BLUE.
USB2.0 CONTACT(SHORT PIN/LONG PIN): COPPER ALLOY.
USB3.0 CONTACT(SHORT PIN/LONG PIN): COPPER ALLOY.
MAIN SHELL: STAINLESS STEEL.
IN CLIP SHELL: STAINLESS STEEL.
BACK SHELL: STAINLESS STEEL.
2. FINISH:
CONTACT:
SELECTIVE GOLD(Au) IN CONTACT AREA(SEE TABLE)
SELECTIVE MATTE TIN(Sn) ALLOY IN SOLDER TAIL AREA
THICKNESS=120 MICRON INCH MINIMUM.
NICKEL(Ni) OVERALL THICKNESS=80 MICRON INCH MINIMUM.
MAIN SHELL:
NICKEL(Ni) OVERALL THICKNESS=30 MICRON INCH MINIMUM.
BACK SHELL:
CLEANING.
3. PRODUCT SPECIFICATION REFERS TO PS-48406-001
4. PACKAGE SPECIFICATION REFERS TO PK-48406-001
5. TEST SUMMARY REFERS TO TS-48406-001
6. LEAD FREE AND ROHS COMPLIANT PRODUCT.
7. DATE CODE:



TABLE

PLATING	MOLEX P/N
30u" Au	48406-0001
2u" Au & 30u" Pd-Ni	48406-0002
15u" Au	48406-0003
GOLD FLASH(3u" Au MIN.)	48406-0004

THIS DRAWING CONTAINS INFORMATION THAT IS PROPRIETARY TO MOLEX ELECTRONIC TECHNOLOGIES, LLC AND SHOULD NOT BE USED WITHOUT WRITTEN PERMISSION

DIMENSION UNITS	SCALE	CURRENT REV DESC: CHANGE THE BACK SHELL FROM SPCC TO STAINLESS STEEL.						
mm	1:1							
GENERAL TOLERANCES (UNLESS SPECIFIED)		EC NO: 623494		USB3.0 A TYPE, T/H DOUBLE STACK, R/A CONTACT HEIGHT: 4.13 PRODUCT CUSTOMER DRAWING				
ANGULAR TOL	± 3.0°	DRWN: FYANG05 2019/09/04						
4 PLACES	±	CHK'D: RZHANG 2019/09/12						
3 PLACES	±	APPR: RZHANG 2019/09/12		DOCUMENT NUMBER				
2 PLACES	± 0.2	INITIAL REVISION:		SD-48406-001		DOC TYPE	DOC PART	REVISION
1 PLACE	± 0.25	DRWN: FYANG05 2013/10/20		PSD		001	B	
0 PLACES	±	APPR: RZHANG 2013/10/31		MATERIAL NUMBER		CUSTOMER		SHEET NUMBER
DRAFT WHERE APPLICABLE MUST REMAIN WITHIN DIMENSIONS		FIRST ANGLE PROJECTION	DRAWING	SERIES	GENERAL MARKET		1 OF 1	

DOCUMENT STATUS	P1	RELEASE DATE	2019/09/12	07:25:01
-----------------	----	--------------	------------	----------