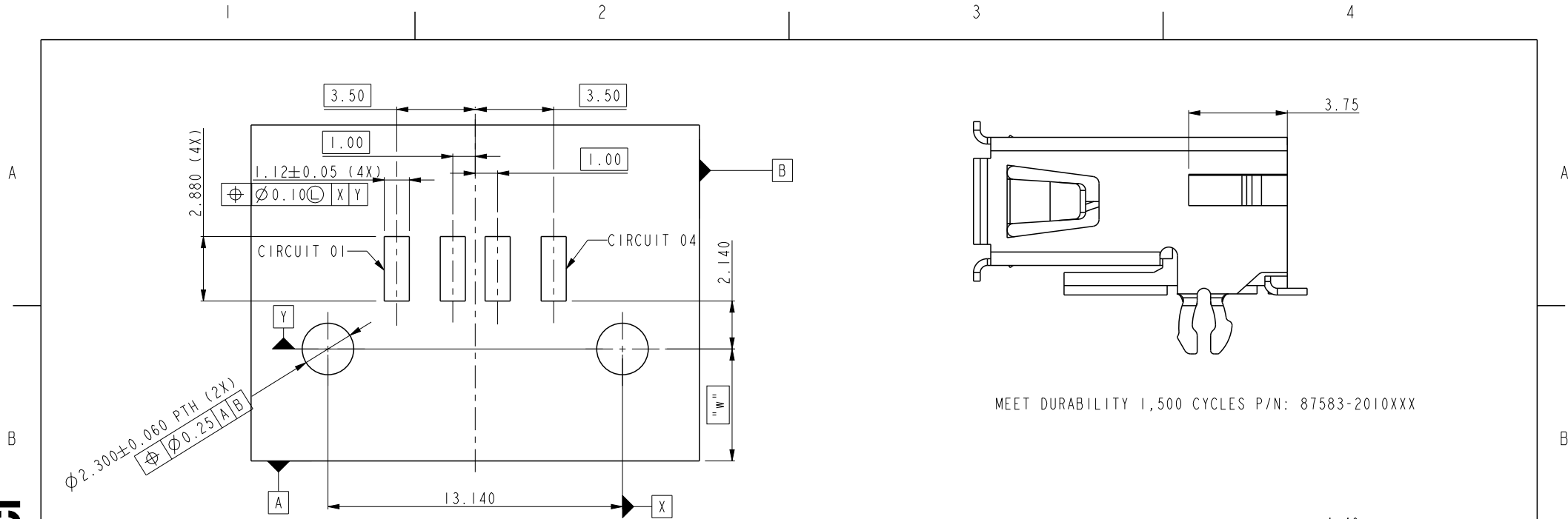
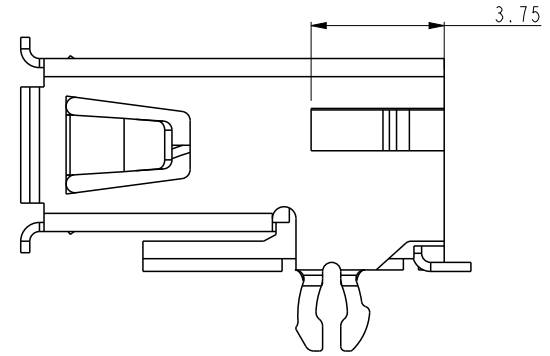
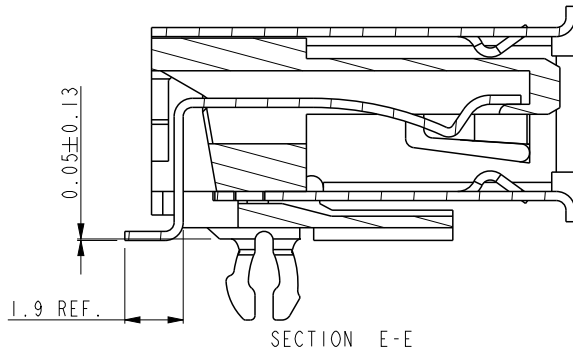


- NOTES:
- MATERIAL:
TERMINAL: COPPER ALLOY
SHELL: COPPER ALLOY
HOUSING: THERMOPLASTIC, UL94 V-0;
 - PLATING: SEE PART NUMBER CODE;
 - DATUM AND BASIC DIMENSIONS ESTABLISHED BY CUTOMER;
 - RECOMMENDED PCB THICKNESS IS 1.57MM;
 - 2.67MM MAXIMUM PANEL THICKNESS IF MOUNTED BEHIND PANEL;
 - PRODUCT SPECIFICATION: GS-12-095;
 - PACKAGE SPECIFICATION: GS-14-393;
 - COMPLIED WITH USB 2.0 AND TID NUMBER 60000205;
 - 87583-3010XXX DURABILITY MEET 9,000 CYCLES,
AND THE OTHER PART MEET USB 2.0 1,500 CYCLES;
(TO BE CONTINUED ON PAGE 3)

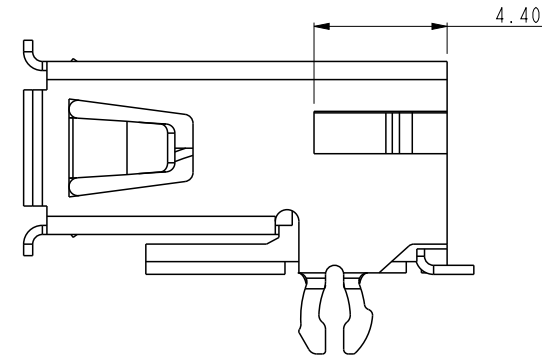
spec ref		dr Keen Wu		2010/11/04		projection		size A4		scale 4.000			
tolerance std		eng Li-Qing Lei		2021/04/27						ecn no ELX-N-40522-1			
TOLERANCES UNLESS OTHERWISE SPECIFIED		chr -		-						rel level Released			
surface		appr Tim Yao		2021/04/29		product family		rev		87583			
linear		0.X		±0.30		Amphenol FCI		title UNIV. SERIAL BUS S.M. RECEPTACLE		dwg no 87583		rev AC	
		0.XX		±0.20									
		0.XXX		±0.10									
angular		0°		±2°		cat. no.		Product - Customer Drw		sheet 1 of 3			



RECOMMENDED PCB LAYOUT
COMPONENT SIDE
TOLERANCE: ±0.05



MEET DURABILITY 1,500 CYCLES P/N: 87583-2010XXX



MEET DURABILITY 9,000 CYCLES P/N: 87583-3010XXX

spec ref		dr Keen Wu		2010/11/04		projection		size A4		scale 4.000			
tolerance std		eng Li-Qing Lei		2021/04/27						ecn no ELX-N-40522-1			
TOLERANCES UNLESS OTHERWISE SPECIFIED		chr -		-						rel level Released			
surface		appr Tim Yao		2021/04/29		product family		rev		87583			
linear		0.X		±0.30		Amphenol FCi		title UNIV. SERIAL BUS S.M. RECEPTACLE		Product - Customer Drw			
angular		0°		±2°								sheet 2 of 3	
		0.XX		±0.20								dwg no 87583	
		0.XXX		±0.10						rev AC			

PRODUCT NUMBER CODE

87583 - X X X X X P X LF

BASE PRODUCT NUMBER

HOUSING COLOR OPTIONS

- 0- WHITE+TIN OVER NICKLE UNDERPLATE
- 1- BLACK+TIN OVER NICKLE UNDERPLATE
- 2 - WHITE+SHELL Ni PLATING ONLY
- 3 - BLACK+SHELL Ni PLATING ONLY
- S - BLACK+SHELL Ni PLATING ONLY (SPECIAL MATERIAL FOR 12,000 DURABILITY CYCLES)

SHELL OPTION

- 0 - NO BACK SHIELD

MOUNTING HOLE OPTIONS

- I - NONE

TERMINAL PLATING OPTION

- 0 - 50u" Ni UNDERPLATE
- 30u" GXT CONTACT AREA
- 100u" TIN TAIL AREA

PACKAGING OPTIONS

- B - TUBES
- R - TAPE & REEL

DATE CODE

- A FOR AUTOMOTIVE APPLICATION
- H FOR HPO SMT

LEAD FREE OPTION

AVAILABLE P/N LIST	
87583-0010BHLF	
87583-0010BLF	OB
87583-0010RLF	OB
87583-1010BLF	OB
87583-1010RPALF	
87583-1010RPLF	OB
87583-2010BLF	
87583-2010BPLF	
87583-2010RLF	
87583-2010RPLF	
87583-3010BLF	
87583-3010BPLF	
87583-3010RPALF	
87583-3010RPLF	
87583-S010XPLF	

Amphenol FCI

© 2020 Amphenol Corporation

(CONTINUE)

- 9. P/N'S WITH SUFFIX "LF" ARE LEAD FREE P/N'S
- 10. FOR LEAD FREE P/N, THE PRODUCT MEET EUROPEAN UNION DIRECTIVES AND OTHER COUNTRY REGULATION AS DESCRIBED IN GS-22-008
- 11. THE HOUSING WILL WITHSTAND EXPOSURE TO 260°C PEAK TEMPERATURE FOR 40 SECONDS IN A CONVECTION, INFRO-RED OR VAPOR PHASE REFLOW OVR.
- 12. FOR AUTOMOTIVE APPLICATION: ALL THE TOLERANCES ".XX" ARE ±0.10 UNLESS OTHER SPECIAL NOTIFICATION



dr	Keen Wu	2010/11/04			size	A4	scale	4.000
eng	Li-Qing Lei	2021/04/27			ecn no	ELX-N-40522-1		
chr	-	-			rel level	Released		
appr	Tim Yao	2021/04/29	product family			rev		AC
		title UNIV. SERIAL BUS S.M. RECEPTACLE			dwg no 87583			
cat. no.		Product - Customer Drw				sheet 3 of 3		