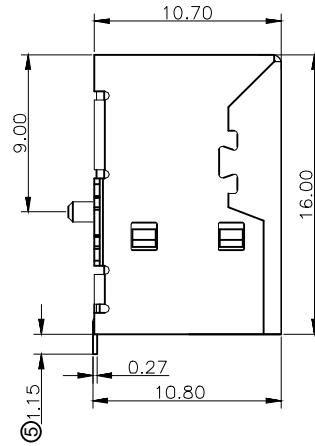
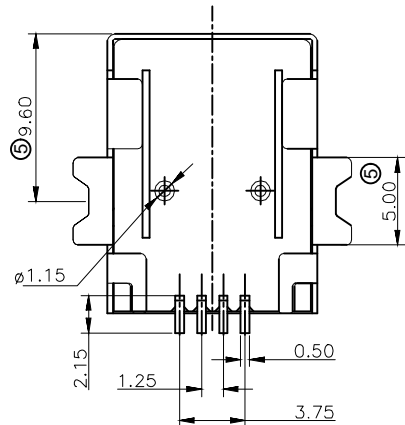
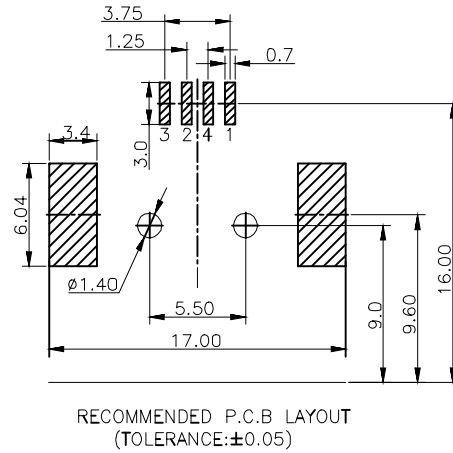
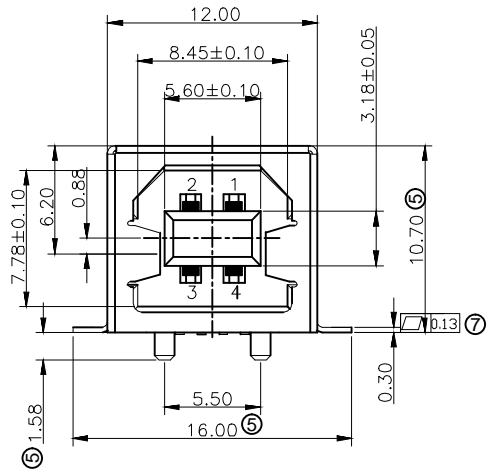


⑥ **USB2.0 COMPLIANT**



NOTES:

1. Material:
 - ① 1.1 Housing: PA9T UL94V-0, White Color
 - 1.2 Shell: Brass
 - 1.3 Contact :Phosphor Bronze
2. FINISH:
 - 2.1 Contact Area: Gold Flash
 - Solder Area: Tin Plated
 - Under: Ni Plated
- ⑦ 2.2 Shell: Ni Plated 50u"-80 u"
3. MECHANICAL:
 - 3.1 Mating Force: 3.57kgf Max.
 - 3.2 Unmating Force: 1.02kgf Min
 - 3.3 Durability: 1500 cycles Min
4. ELECTRICAL:
 - 4.1 Current Rating: 1.5A
 - 4.2 Dielectric Strength: 500V AC FOR 1 MINUTE
 - 4.3 Contact Resistance: 30mΩ Max
 - 4.4 Insulation Resistance: 1000 MΩ Min
5. Operating temperature: -55°C TO +85°C
6. PACKIING:
 - A-USB B/SMT: Tray
 - A-USB B/SMT-R: Tape&Reel

RoHS compliant
Unit: mm

Scale	Free	⑪	Add reflow solder profile	12.12.2018	Xavier		Date	Name	Customer-No.
TOLERANCE		⑩	Add the dimension of reel	12.12.2016	Winnie	Drawn	27.03.2007	Hellwig	ASSMANN WSW-No. A-USB B/SMT A-USB B/SMT-R
X.X	±0.5	⑨	Add page 2	08.09.2016	Jesse	Approved	12.12.2016	Winnie	
X.XX	±0.3	⑧	Change the insulator material	09.07.2015	Jesse				
X.XXX	±0.2	⑦	Add the co-planarity&plating spec for the shell	17.01.2014	Winnie				Drawing-No.
DIM	TOL	⑥	Update	19.08.2013	Winnie				ASS 1122 CO
ANG.°	±5°								rev11
Angle	TOL	Id.	Modification	Date	Name				SHEET
									Replace



Customer-No.		ASSMANN WSW-No. A-USB B/SMT A-USB B/SMT-R
Drawing-No.		
ASS 1122 CO	rev11	
Replace	SHEET	1/3

1

2

3

4

5

6

7

A

A

B

B

C

C

D

D

E

E

F

F

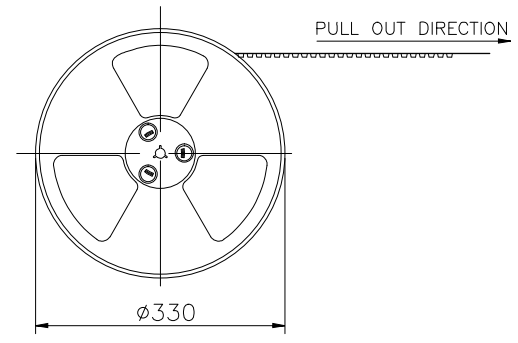
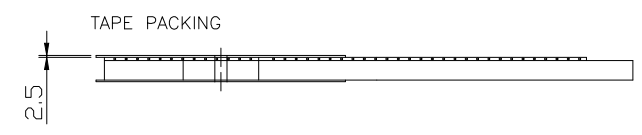
G

G

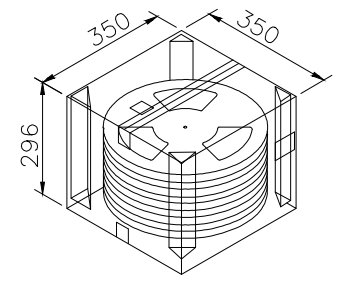
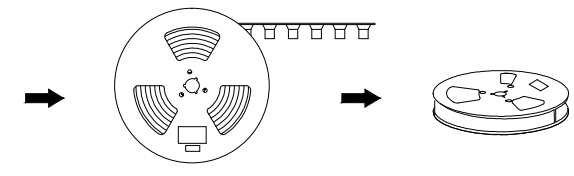
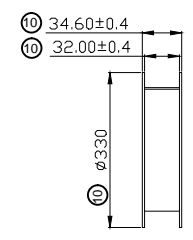
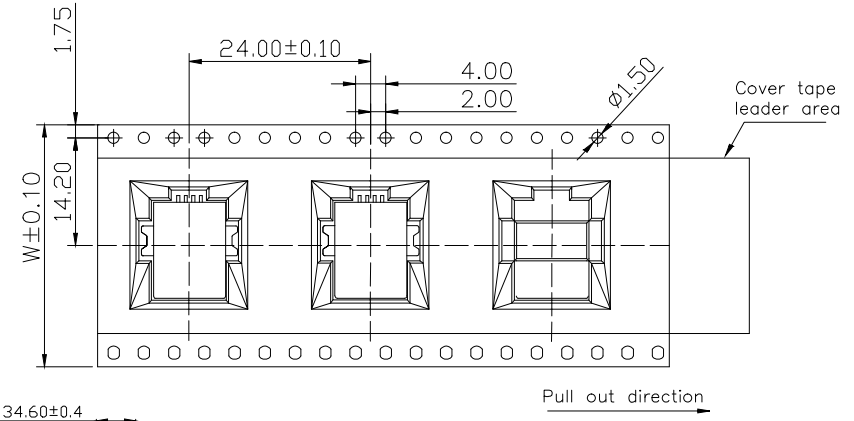
H

H

Ⓢ



(SC 1:20)



Pin.	W	Pcs/R	R/Cartron	Pcs/Cartron
04	32	150	7	1050

NOTES:

1. Material: White
2. Thickness: 0.50±0.05mm
3. Component load per 13" reel: 150pcs
4. Carton Size: 350*296(mm)

RoHS compliant
Unit: mm

Scale	Free	⑪	Add reflow solder profile	12.12.2018	Xavier		Date	Name	Customer-No.
TOLERANCE		⑩	Add the dimension of reel	12.12.2016	Winnie	Drawn	27.03.2007	Hellwig	ASSMANN WSW-No. A-USB B/SMT A-USB B/SMT-R
X.X	±0.5	⑨	Add page 2	08.09.2016	Jesse	Approved	12.12.2016	Winnie	
X.XX	±0.3	⑧	Change the insulator material	09.07.2015	Jesse				
X.XXX	±0.2	⑦	Add the co-planarity&plating spec for the shell	17.01.2014	Winnie				Drawing-No.
DIM	TOL	⑥	Update	19.08.2013	Winnie				ASS 1122 CO
ANG.°	±5°								rev11
Angle	TOL	Id.	Modification	Date	Name				SHEET 2/3
									Replace

1

2

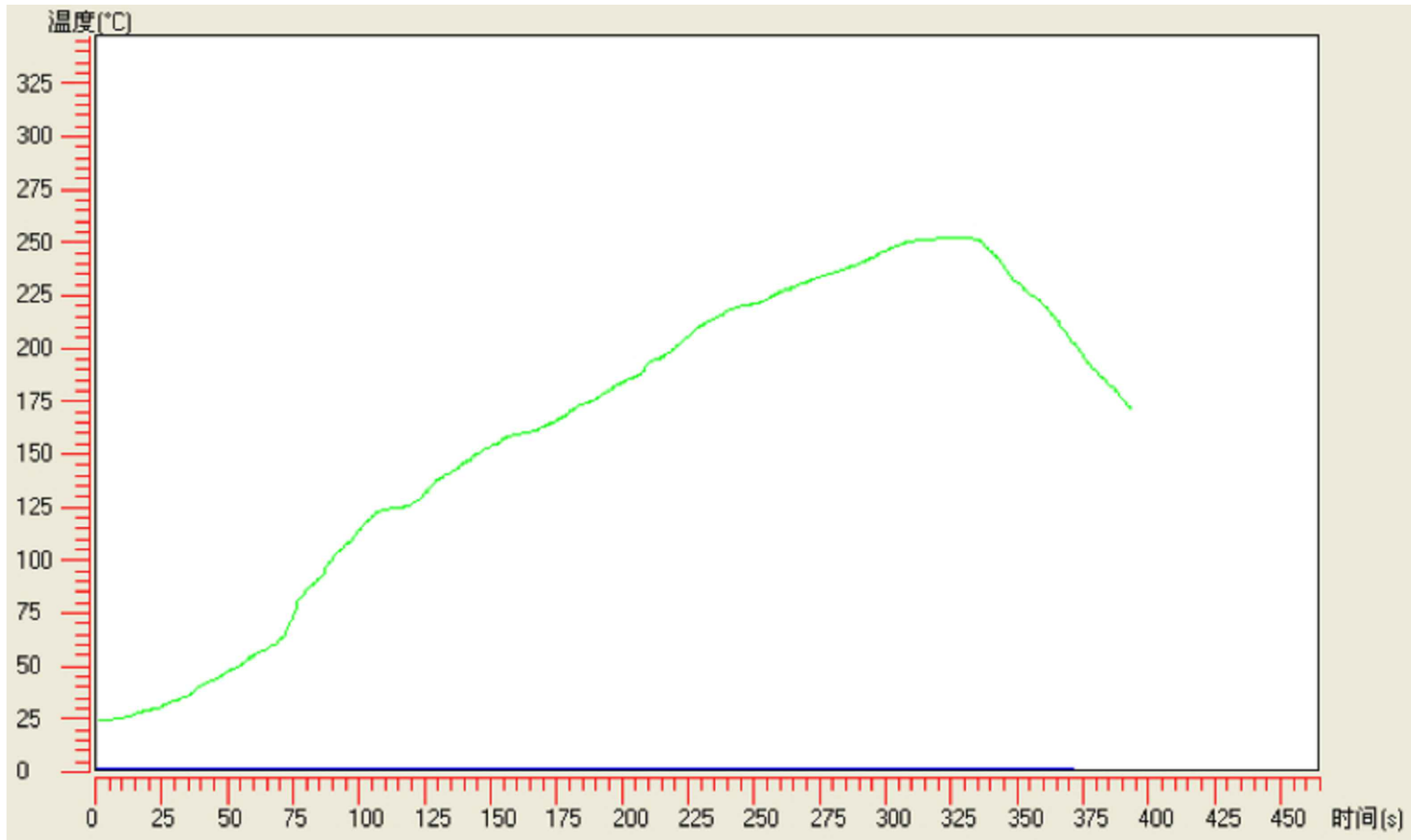
3

4

5


6

7



Reflow solder profile

RoHS compliant
Unit: mm

Scale	Free	⑪	Add reflow solder profile	12.12.2018	Xavier		Date	Name	Customer-No.
TOLERANCE		⑩	Add the dimension of reel	12.12.2016	Winnie	Drawn	27.03.2007	Hellwig	ASSMANN WSW-No. A-USB B/SMT A-USB B/SMT-R
X.X	±0.5	⑨	Add page 2	08.09.2016	Jesse	Approved	12.12.2016	Winnie	
X.XX	±0.3	⑧	Change the insulator material	09.07.2015	Jesse				
X.XXX	±0.2	⑦	Add the co-planarity&plating spec for the shell	17.01.2014	Winnie				Drawing-No.
DIM	TOL	⑥	Update	19.08.2013	Winnie				ASS 1122 CO
ANG.°	±5°	⑤	Id.	Modification	Date	Name	Replace	SHEET 3/3	
Angle	TOL								



ASS 1122 CO

rev11

Replace

SHEET 3/3