

RECOMMENDED PCB LAYOUT

Material and Finish

Insulator: High Temperature Thermoplastic, UL94V-0 Rated, PC99 Pantone 151C Orange Color

Shell: Phosphor Bronze, Tin Plated

Contact Material: Phosphor Bronze

Contact Plating: Gold Flash on Contact Area, Tin Plated on Solder Tails, All over Nickel Underplate

Electrical Characteristics

Rated Current: 1.5A
Rated Voltage: 30V AC

Insulation Resistance: 1,000 Megohms Min.

Contact Resistance: 30 milliohms Max.

Dielectric Withstanding Voltage: 500V AC For 1 Minute

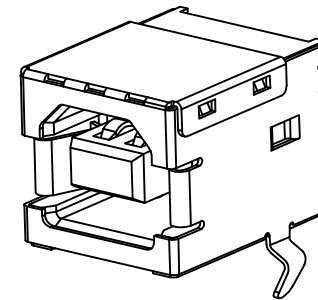
Mechanical Characteristics

Durability: 1500 Mating Cycles Min.

Mating Force: 35N Max.

Extraction Force: 15N Min.

Operating Temperature: -40°C to +85°C



Tolerances
X.X ± 0.25
X.XX ± 0.15
Unless Stated Otherwise

REV.	DATE	DESCRIPTION	REV. BY	CHK. BY	DRAWN BY	DATE
A0	01/11/08	New Drawing	WILL H.	H. MA	WILL H.	12/11/07
A1	03/14/08	change shell material & Dim	R. Aguirre	H. MA		
A2	04/08/08	Release Drawing	H. MA	N/A		UNITS
A3	05/08/13	ECO #13-020	W. Cook	P. DalCanto		mm
A4	02/10/15	ECO #15-015	D. Gih	H. MA		
A5	06/12/15	Update Operating Temp.	H. MA	W. Cook		

KUSBXHT-BS1N-O-HRF

Right Angle, USB B Type, RoHS Compliant

Orange Color, High Retention Force

