

DATASHEET

NI 9350

8-Ch 24 V Sinking DI, 8-Ch 24 V Sourcing DO SIL3 Capable



- Certified SIL3 capable
- Safety response time <math><250 \mu\text{s}</math>
- Contains user-programmable and automatic self-diagnostics
- 60 V DC, CAT I, channel-to-earth isolation
- Spring terminal connectivity
- Only compatible with CompactRIO Scan Mode on CompactRIO Controllers and CompactRIO ENET Chassis

The NI 9350 is a C Series Functional Safety module for any NI CompactRIO controller system. The NI 9350 employs self-contained logic operations supporting Boolean logic with state machines. This module drives a 24 V digital signal to control safety devices such as contactors, gate switches, and control valves.



Caution This icon denotes a caution advising you to take precautions to avoid injury.



Note The Functional Safety Editor only runs on 64-bit Windows 7, Windows 8.1, or later. The application is not compatible with 32-bit Windows versions.

C Series Functional Safety Module Kit Contents



- NI 9350
- NI 9350 Getting Started Guide
- Strain Relief and Protection with Connector for 26-Position Connector Blocks (Connector Backshell), NI part number 785525-01

Recommended Accessories



- 3 k Ω external pull-down resistors
- NI PS-14 power supply

C Series Functional Safety Overview



C Series Functional Safety modules can connect to sensors or final elements and allow for fast safety response that meets the demands of the process industry and production engineering.

- SIL3 capability and measurement class I/O in a single module
- Combine safety automation with monitoring and control applications using the same platform
- -40 °C to 70 °C temperature range to meet a variety of application and environmental needs

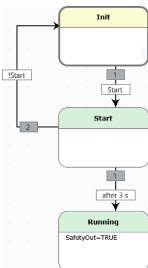
CompactRIO



CompactRIO combines an open-embedded architecture with small size, extreme ruggedness, and C Series modules in a platform powered by the NI LabVIEW reconfigurable I/O (RIO) architecture. Each system contains an FPGA for custom timing, triggering, and processing with a wide array of available modular I/O to meet any embedded application requirement.

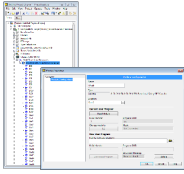
Functional Safety Software

Functional Safety Editor



- Design state machines to monitor and control safety systems
- Configure fail-safe diagnostics
- Define output behavior by state
- Connect states with Boolean text-based transitions and wait timers
- Create and compile User Programs that download to C Series Functional Safety modules

LabVIEW Professional Development System for Windows



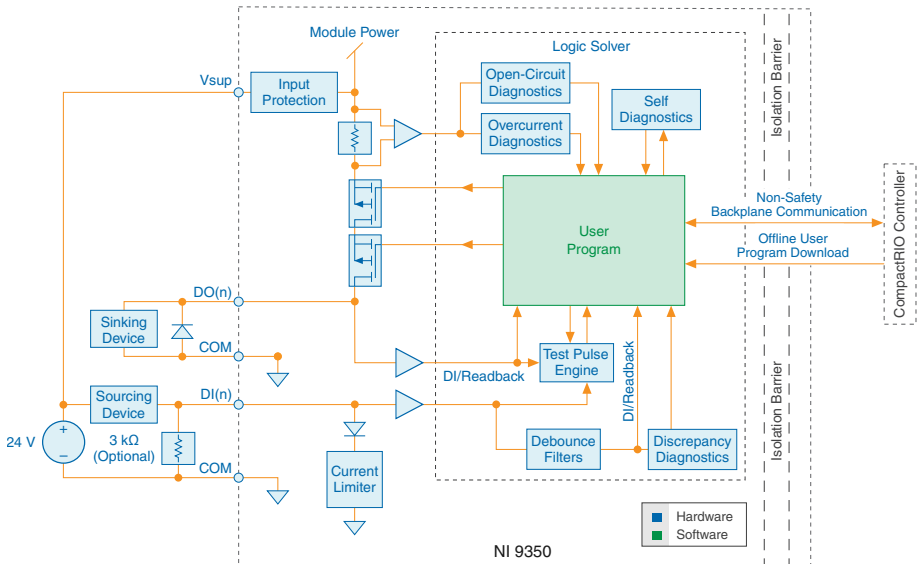
- Create projects to monitor C Series Functional Safety modules
- Download User Programs to C Series Functional Safety modules
- Read faults and module operating modes

NI LabVIEW Real-Time Module



- Develop VIs to monitor safety modules
- Read Boolean diagnostics and operating modes
- Read inputs and variables from the C Series Functional Safety module
- Configure non-safety digital output

NI 9350 Input/Output Circuitry



NI 9350 Specifications

The following specifications are typical for the range -40 °C to 70 °C unless otherwise noted.



Caution Do not operate the NI 9350 in a manner not specified in this document. Product misuse can result in a hazard. You can compromise the safety protection built into the product if the product is damaged in any way. If the product is damaged, return it to NI for repair.

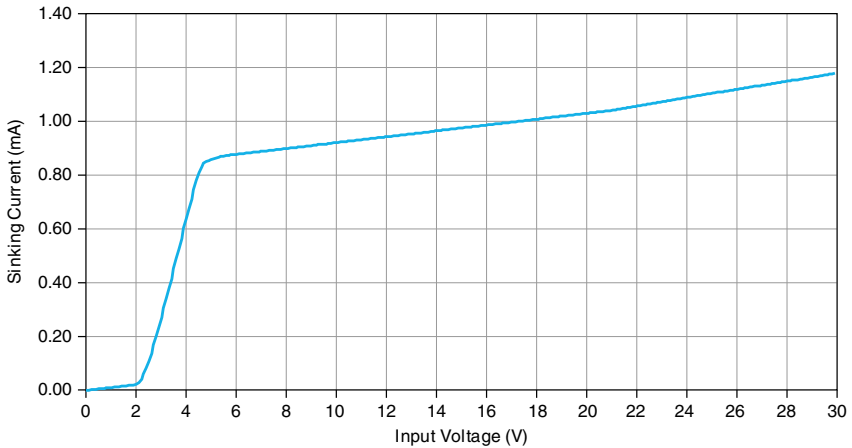
Input/Output Characteristics

Number of channels 8 digital input, 8 digital output

Digital Input

Input type	Sinking
Input voltage range	0 V to 30 V
Digital logic levels	
OFF	
Input voltage	≤ 6.0 V
ON	
Input voltage	≥ 11.0 V
Input current at 24 V	1.1 mA
Hysteresis	3.0 V

Figure 1. Digital Input Sinking Current vs Digital Input Voltage



Input voltage protection ± 30 V DC

Input Signal Response Time



Note For more information on how to calculate input signal response times, refer to the *C Series Functional Safety Manual* on ni.com/manuals.

Input signal response time (1 to 0)

Single or dual input	57 μs
Single or dual input with test pulses	165 μs



Note Input signal response time (1 to 0) assumes a 3 k Ω external pull-down, 50 m cable length with capacitance <180 pF/m, and the debounce filter and test pulse width set to the minimum values for the given configuration.

Input signal response time (0 to 1)

Single input	20 μs
Dual input	122 μs
Single input with test pulses	346 μs
Dual input with test pulses	649 μs



Note Input signal response time (0 to 1) assumes the debounce filter, test pulse width, and discrepancy time are set to minimum values for the given configuration.

Digital Output

Output type	Sourcing
Minimum ON time	190 μs



Caution You must enforce minimum ON time or the channel may fail to de-energize in an overcurrent or short-circuit condition. Failure to de-energize in an overcurrent or short-circuit condition may damage the module.

Minimum OFF time	170 μs
------------------	-------------------



Caution You must enforce minimum OFF time except when the channel is configured with test pulses. Test pulse width may be smaller than the minimum OFF time.

Continuous output current (per channel)	250 mA, maximum
ON state voltage drop (V_{sup} pin to DO pin)	45 mV + (channel output current) \times 0.3 Ω , maximum
OFF state leakage current	0.2 mA, maximum
Required external load	50 k Ω , maximum



Note The required external load must be present on DO configurations with internal readback or internal test pulse. A readback fault or test pulse fault may occur if the required external load is not present.

Load capacitance	0.5 μ F, maximum
Cable length	200 m, maximum
Output signal response time ¹	5 μ s, maximum
Open circuit detection	11 mA 2 mA, minimum 20 mA, maximum
Protection	
Voltage	0 V to V_{sup} , maximum
Reverse Voltage	None
Overcurrent channel disable	>250 mA, minimum 340 mA, maximum



Note Transient loads exceeding overcurrent protection will trigger an overcurrent fault. This does not apply to inrush currents required to drive the specified load capacitance and cable length.

Power Requirements

Power consumption from chassis	
Active mode	60 mW, maximum
Sleep mode	200 μ W, maximum
Thermal dissipation (at 70 °C)	
Active mode	1.6 W, maximum
Sleep mode	1.6 W, maximum

External Power Supply Requirements



Caution You must use an appropriate power source to limit output power in case of a fault. For a list of required power supply categories, refer to the *C Series Functional Safety Manual* on ni.com/manuals.

Voltage input range	19 V DC to 30 V DC
---------------------	--------------------

¹ Includes delay time from a change in safety processing logic output to the digital output turning off. This does not include the discharge time for the output load. For more information on response times, refer to the *C Series Functional Safety Manual* on ni.com/manuals.



Note The NI 9350 includes input power protection circuitry. If the voltage at V_{sup} falls outside the voltage input range, the module will power down and all channels will de-energize. You must cycle external power to the module to resume operation.

Power consumption, active or sleep mode

No DO load	1.05 W, maximum
Full DO load, 30 V input	61.6 W, maximum

Physical Characteristics

If you need to clean the module, wipe it with a dry towel.



Tip For two-dimensional drawings and three-dimensional models of the C Series module and connectors, visit ni.com/dimensions and search by module number.

Spring terminal wiring

Wire length	61 cm (24 in.), minimum
COM jumper length	61 cm (24 in.), minimum
Gauge	0.50 mm ² to 1.5 mm ² (20 AWG to 16 AWG) copper conductor wire, if using single wire per spring terminal; 0.34 mm ² (22 AWG) copper conductor wire, if using two wires per spring terminal
Wire strip length	10 mm (0.39 in.) of insulation stripped from the end
Insulation temperature rating	90 °C, minimum
Wires per spring terminal	One solid or stranded wire per spring terminal; two stranded wires per spring terminal using a two-wire ferrule

Ferrules

Single ferrule, uninsulated	0.50 mm ² to 1.5 mm ² (20 AWG to 16 AWG), 10 mm barrel length
Single ferrule, insulated	0.50 mm ² to 1.0 mm ² (20 AWG to 18 AWG), 12 mm barrel length
Two-wire ferrule, insulated	2x 0.34 mm ² (2x 22 AWG), 12 mm barrel length

Connector securement

Securement type	Screw flanges provided
Torque for screw flanges	0.25 N · m (2.2 lb · in.)

Safety Voltages

Connect only voltages that are within the following limits:



Caution Do not connect hazardous voltages to the NI 9350. A hazardous voltage is a voltage greater than 42.4 V peak voltage or 60 V DC to earth ground.

Maximum voltages

V _{sup} -to-COM	30 V DC
DI-to-COM	30 V DC
DO-to-COM	0 V DC to V _{sup}



Caution DO channels are not protected for negative voltages or voltages greater than V_{sup}.

Isolation voltages

Channel-to-earth ³ (up to 5,000 m)	
Continuous	60 V DC, Measurement Category I
Withstand	1,000 V RMS, verified by a 5 s dielectric withstand test

Measurement Category I is for measurements performed on circuits not directly connected to the electrical distribution system referred to as *MAINS* voltage. MAINS is a hazardous live electrical supply system that powers equipment. This category is for measurements of voltages from specially protected secondary circuits. Such voltage measurements include signal levels, special equipment, limited-energy parts of equipment, circuits powered by regulated low-voltage sources, and electronics.



Caution Do not connect the NI 9350 to signals or use for measurements within Measurement Categories II, III, or IV.



Note Measurement Categories CAT I and CAT O are equivalent. These test and measurement circuits are for other circuits not intended for direct connection to the MAINS building installations of Measurement Categories CAT II, CAT III, or CAT IV.

² Includes 26-pin spring terminal and connector backshell.

³ Channels include V_{sup} and COM.

Hazardous Locations

U.S. (UL)	Class I, Division 2, Groups A, B, C, D, T4; Class I, Zone 2, AEx nA IIC T4 Gc
Canada (C-UL)	Class I, Division 2, Groups A, B, C, D, T4; Ex nA IIC T4 Gc
Europe (ATEX) and International (IECEX)	Ex nA IIC T4 Gc

Functional Safety Standards

This product is designed for Functional Safety applications and meets the following standards:

- IEC/EN 61508:2010; Functional Safety of Electrical Systems, Second Edition
- IEC/EN 62061; Safety of Machinery
- IEC/EN 61511; Safety Instrumented Systems for the Process Industry Sector

Functional Safety Certification

Safety Integrity Level	SIL3 (IEC 61508)
Hardware fault tolerance	0
Useful lifetime	
At 55 °C	20 years
At 70 °C	10 years

Table 1. IEC 61508 Failure Rates in FIT⁴

Failure Categories	λ_{SD}	λ_{SU}	λ_{DD}	λ_{DU}
Common, sea level	419	10	282	10
Common, 2,000 m	858	11	720	10
Common, 5,000 m	4,100	14	3,970	13
DI common	7.0	0.1	19	0.2
DI per channel	14	2.2	15	0.5
DO per channel	39	0.7	0.2	0.2

⁴ 1 FIT = 1 failure/10⁹ hours

Safety and Hazardous Locations Standards

This product is designed to meet the requirements of the following electrical equipment safety standards for measurement, control, and laboratory use:

- IEC 61010-1, EN 61010-1
- UL 61010-1, CSA C22.2 No. 61010-1
- EN 60079-0:2012, EN 60079-15:2010
- IEC 60079-0: Ed 6, IEC 60079-15; Ed 4
- UL 60079-0; Ed 6, UL 60079-15; Ed 4
- CSA C22.2 No. 60079-0, CSA C22.2 No. 60079-15



Note For UL and other safety certifications, refer to the product label or the [Online Product Certification](#) section.

Electromagnetic Compatibility

This product meets the requirements of the following EMC standards for electrical equipment for measurement, control, and laboratory use:

- EN 61326-1 (IEC 61326-1): Class B emissions; Basic immunity
- EN 61326-3-1 (IEC 61326-3-1): Functional Safety Industrial Locations; Class B emissions; Industrial immunity
- EN 55011 (CISPR 11): Group 1, Class A emissions
- EN 55022 (CISPR 22): Class A emissions
- EN 55024 (CISPR 24): Immunity
- AS/NZS CISPR 11: Group 1, Class A emissions
- AS/NZS CISPR 22: Class A emissions
- FCC 47 CFR Part 15B: Class A emissions
- ICES-001: Class A emissions



Note In the United States (per FCC 47 CFR), Class A equipment is intended for use in commercial, light-industrial, and heavy-industrial locations. In Europe, Canada, Australia and New Zealand (per CISPR 11) Class A equipment is intended for use only in heavy-industrial locations.



Note Group 1 equipment (per CISPR 11) is any industrial, scientific, or medical equipment that does not intentionally generate radio frequency energy for the treatment of material or inspection/analysis purposes.



Note For EMC declarations and certifications, and additional information, refer to the [Online Product Certification](#) section.

CE Compliance

This product meets the essential requirements of applicable European Directives, as follows:

- 2014/35/EU; Low-Voltage Directive (safety)
- 2014/30/EU; Electromagnetic Compatibility Directive (EMC)
- 2014/34/EU; Potentially Explosive Atmospheres (ATEX)

Online Product Certification

Refer to the product Declaration of Conformity (DoC) for additional regulatory compliance information. To obtain product certifications and the DoC for this product, visit ni.com/certification, search by model number or product line, and click the appropriate link in the Certification column.

Shock and Vibration

To meet these specifications, you must panel mount the system.

Operating vibration	
Random (IEC 60068-2-64)	5 g _{rms} , 10 Hz to 500 Hz
Sinusoidal (IEC 60068-2-6)	5 g, 10 Hz to 500 Hz
Operating shock (IEC 60068-2-27)	30 g, 11 ms half sine; 50 g, 3 ms half sine; 18 shocks at 6 orientations

Environmental

Refer to the manual for the chassis you are using for more information about meeting these specifications.

Operating temperature (IEC 60068-2-1, IEC 60068-2-2)	-40 °C to 70 °C
Storage temperature (IEC 60068-2-1, IEC 60068-2-2)	-40 °C to 85 °C
Ingress protection	IP40
Operating humidity (IEC 60068-2-78)	10% RH to 90% RH, noncondensing
Storage humidity (IEC 60068-2-78)	5% RH to 95% RH, noncondensing
Pollution Degree	2
Maximum altitude	5,000 m

Indoor use only.

Environmental Management

NI is committed to designing and manufacturing products in an environmentally responsible manner. NI recognizes that eliminating certain hazardous substances from our products is beneficial to the environment and to NI customers.

For additional environmental information, refer to the *Minimize Our Environmental Impact* web page at ni.com/environment. This page contains the environmental regulations and directives with which NI complies, as well as other environmental information not included in this document.

Waste Electrical and Electronic Equipment (WEEE)



EU Customers At the end of the product life cycle, all NI products must be disposed of according to local laws and regulations. For more information about how to recycle NI products in your region, visit ni.com/environment/weee.

电子信息产品污染控制管理办法（中国 RoHS）



中国客户 National Instruments 符合中国电子信息产品中限制使用某些有害物质指令 (RoHS)。关于 National Instruments 中国 RoHS 合规性信息，请登录 ni.com/environment/rohs_china。(For information about China RoHS compliance, go to ni.com/environment/rohs_china.)

Information is subject to change without notice. Refer to the *NI Trademarks and Logo Guidelines* at ni.com/trademarks for information on NI trademarks. Other product and company names mentioned herein are trademarks or trade names of their respective companies. For patents covering NI products/technology, refer to the appropriate location: **Help>Patents** in your software, the `patents.txt` file on your media, or the *National Instruments Patent Notice* at ni.com/patents. You can find information about end-user license agreements (EULAs) and third-party legal notices in the `readme` file for your NI product. Refer to the *Export Compliance Information* at ni.com/legal/export-compliance for the NI global trade compliance policy and how to obtain relevant HTS codes, ECCNs, and other import/export data. NI MAKES NO EXPRESS OR IMPLIED WARRANTIES AS TO THE ACCURACY OF THE INFORMATION CONTAINED HEREIN AND SHALL NOT BE LIABLE FOR ANY ERRORS. U.S. Government Customers: The data contained in this manual was developed at private expense and is subject to the applicable limited rights and restricted data rights as set forth in FAR 52.227-14, DFAR 252.227-7014, and DFAR 252.227-7015.

© 2017 National Instruments. All rights reserved.

377935B-02 November 30, 2017