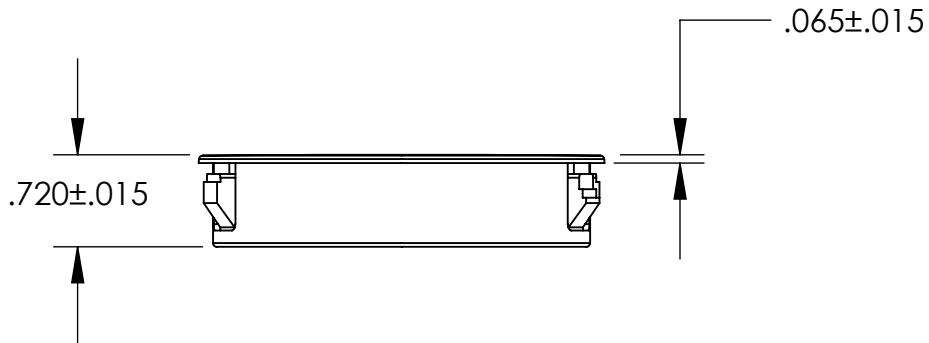
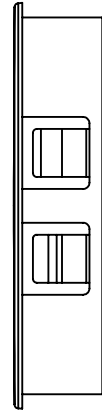
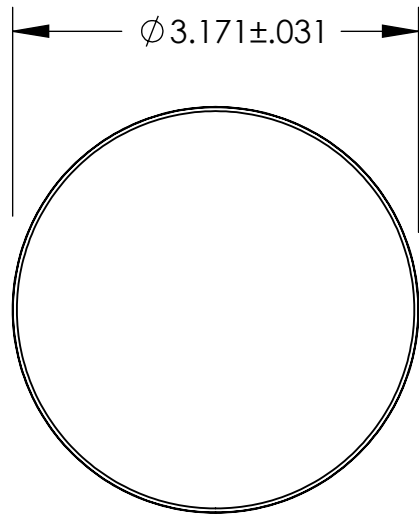


UNCONTROLLED DOCUMENT

NOTES:
HOLE SIZE: 3.000
MAXIMUM PANEL THICKNESS: .250



TOLERANCES UNLESS NOTED

- $\pm .005$ ON DIMENSIONS THRU $.625$
- $\pm .008$ ON DIMENSIONS $.626$ THRU 1.000
- $\pm .010$ ON DIMENSIONS 1.001 THRU 1.500
- $\pm .015$ ON DIMENSIONS LARGER THAN 1.500
- $\pm .015$ ON FRACTIONAL DIMENSIONS

WE RESERVE THE RIGHT
TO DISCONTINUE ITEMS,
CHANGE SPECIFICATIONS
OR DESIGN AT ANY TIME
WITHOUT NOTICE AND
WITHOUT INCURRING
ANY OBLIGATIONS

PROPERTY OF
MICRO PLASTICS INC.

CATALOG DRAWING
LOCKING HOLE PLUG
MICRO P/N 62MP3000
DWG. # 62MP3000
FILE SERVER\ENG\WEB

MATERIAL: HEAT STABILIZED NYLON
BLACK

DATE

SCALE
1:1.5

TA