

# Repeater power supply - MACX MCR-EX-SL-RPSSI-2I - 2865366

Please be informed that the data shown in this PDF Document is generated from our Online Catalog. Please find the complete data in the user's documentation. Our General Terms of Use for Downloads are valid (<http://phoenixcontact.com/download>)




Ex i measuring transducer power supply and input signal conditioner, HART-transparent. Transfers supplied or active 0/4...20 mA electrically isolated signals from the Ex area to two loads in the safe area. 4-way electrical isolation, screw connection, SIL, PL.

## Your advantages

- ✓ 0/4 mA ... 20 mA input, intrinsically safe, [Ex ia], powered and not powered
- ✓ Measuring transducer supply voltage > 16 V
- ✓ Two electrically isolated 0/4 mA ... 20 mA (active) outputs
- ✓ Bidirectional HART transmission (both outputs)
- ✓ Error indication according to NAMUR NE 43
- ✓ SIL 2 according to IEC 61508/EN 61508
- ✓ Safe electrical isolation between input, outputs, and supply
- ✓ Power supply possible via DIN rail connector
- ✓ Installation in zone 2 permitted
- ✓ Plug-in connection terminal blocks, screw connection technology, with integrated sockets for HART communicators
- ✓ Housing width: 12.5 mm
- ✓ Minimal power dissipation
- ✓ High transmission accuracy



## Key Commercial Data

Packing unit	1 pc
GTIN	 4 046356 160384
GTIN	4046356160384

## Technical data

### Note

Utilization restriction	EMC: class A product, see manufacturer's declaration in the download area
-------------------------	---

### Dimensions

# Repeater power supply - MACX MCR-EX-SL-RPSSI-2I - 2865366

## Technical data

### Dimensions

Width	12.5 mm
Height	112.5 mm
Depth	113.7 mm
	114.5 mm (Snapped onto DIN rail NS 35/7,5 in accordance with EN 60715)

### Ambient conditions

Ambient temperature (operation)	-20 °C ... 60 °C (Any mounting position)
Ambient temperature (storage/transport)	-40 °C ... 80 °C
Maximum altitude	≤ 2000 m
Permissible humidity (operation)	10 % ... 95 % (non-condensing)
Degree of protection	IP20 (not assessed by UL)
Noise immunity	EN 61000-6-2 When being exposed to interference, there may be minimal deviations.

### Input data

Signal input	Repeater power supply operation
Current input signal	4 mA ... 20 mA
Transmitter supply voltage	> 16 V (20 mA)
	> 15.1 V (23 mA)
Underload/overload signal range	0 mA ... 24 mA (Extended transmission range for diagnostics)
Polarization and surge protection	Yes
Signal input	Signal conditioner operation
Current input signal	0 mA ... 20 mA
	4 mA ... 20 mA
Voltage drop	< 3.9 V (in input isolating amplifier operation)
Underload/overload signal range	0 mA ... 24 mA (Extended transmission range for diagnostics)

### Output data

Signal output	Repeater power supply operation
Current output signal	4 mA ... 20 mA (Output 1 and output 2 active)
Load/output load current output	< 450 Ω (20 mA)
	< 380 Ω (23 mA)
Output ripple	< 20 mV <sub>rms</sub>
Output behavior in the event of an error	0 mA (Cable break in the input)
	≥ 23 mA (Cable short-circuit in the input)
Signal output	Signal conditioner operation
Current output signal	0 mA ... 20 mA (active)
	4 mA ... 20 mA (active)
Load/output load current output	< 450 Ω (20 mA)
	< 380 Ω (23 mA)
Output ripple	< 20 mV <sub>rms</sub>
Output behavior in the event of an error	0 mA (Cable break in the input)

# Repeater power supply - MACX MCR-EX-SL-RPSSI-2I - 2865366

## Technical data

### Output data

	0 mA (Cable short-circuit in the input)
--	---

### Power supply

Designation	Repeater power supply operation
Nominal supply voltage	24 V DC
Supply voltage range	19.2 V DC ... 30 V DC (24 V DC, -20 % ... +25 %)
Max. current consumption	< 75 mA (24 V DC / 20 mA)
Power dissipation	< 1.45 W (24 V DC/20 mA)
Designation	Signal conditioner operation
Nominal supply voltage	24 V DC
Nominal supply voltage range	19.2 V DC ... 30 V DC (24 V DC, -20 % ... +25 %)
Max. current consumption	< 46 mA (24 V DC / 20 mA)
Power dissipation	< 1.2 W (24 V DC/20 mA)

### Connection data

Connection method	Screw connection
Stripping length	7 mm
Screw thread	M3
Conductor cross section solid	0.2 mm <sup>2</sup> ... 2.5 mm <sup>2</sup>
Conductor cross section flexible	0.2 mm <sup>2</sup> ... 2.5 mm <sup>2</sup>
Conductor cross section AWG	24 ... 14
Torque	0.5 Nm ... 0.6 Nm

### Connection data 2

Connection name	Test socket
Max. diameter	2.3 mm

### General

No. of channels	1
Maximum transmission error	< 0.1 % (of final value)
Transmission error, typical	< 0.05 % (of final value)
Maximum temperature coefficient	< 0.01 %/K
Step response (10-90%)	1.3 ms (for jump 4 mA ... 20 mA, typical)
Status display	Green LED (PWR supply voltage)
Electromagnetic compatibility	Conformance with EMC directive
Interference emission	EN 61000-6-4
Housing material	PA 6.6-FR
Designation	Input/output/power supply
Rated insulation voltage	300 V <sub>rms</sub>
Test voltage	2.5 kV AC (50 Hz, 1 min.)
Insulation	Safe isolation in accordance with IEC/EN 61010-1
Overvoltage category	II
Degree of pollution	2

# Repeater power supply - MACX MCR-EX-SL-RPSSI-2I - 2865366

## Technical data

### General

Designation	Input/output
Electrical isolation	375 V (Peak value in accordance with IEC/EN 60079-11)
Designation	Input/power supply
Electrical isolation	375 V (Peak value in accordance with IEC/EN 60079-11)
Designation	Output 1/output 2
Test voltage	1.5 kV AC (50 Hz, 1 min.)

### Data communication (bypass)

HART function	Yes
Protocols supported	HART

### Standards and Regulations

Electromagnetic compatibility	Conformance with EMC directive
Noise emission	EN 61000-6-4
Designation	GB Standard
Standards/regulations	GB 3626.20
	GB 3836.1
	GB 3836.4
	GB 3836.8
	GB 12476.1
	GB 12476.4
Electrical isolation	3-way isolation
Operation	Repeater power supply operation
Max. output voltage $U_o$	25.2 V
Max. output current $I_o$	93 mA
Max. output power $P_o$	587 mW
Group	IIC
Max. external inductivity $L_o$	300 mH
Max. external capacitance $C_o$	3.6 $\mu$ F
Additional text	simple circuit
Group	IIC
Max. external inductivity $L_o$	100 mH
Max. external capacitance $C_o$	510 nF
Additional text	mixed circuit
Group	IIC
Max. external inductivity $L_o$	50 mH
Max. external capacitance $C_o$	580 nF
Additional text	mixed circuit
Group	IIC
Max. external inductivity $L_o$	5 mH
Max. external capacitance $C_o$	600 nF

# Repeater power supply - MACX MCR-EX-SL-RPSSI-2I - 2865366

## Technical data

### Standards and Regulations

Additional text	mixed circuit
Group	IIC
Max. external inductivity $L_o$	1 mH
Max. external capacitance $C_o$	600 nF
Additional text	mixed circuit
Group	IIC
Max. external inductivity $L_o$	10 $\mu$ H
Max. external capacitance $C_o$	600 nF
Additional text	mixed circuit
Group	IIB/IIIC
Max. external inductivity $L_o$	1000 mH
Max. external capacitance $C_o$	26 $\mu$ F
Additional text	simple circuit
Group	IIB/IIA/IIIC
Max. external inductivity $L_o$	100 mH
Max. external capacitance $C_o$	1 $\mu$ F
Additional text	mixed circuit
Group	IIB/IIA/IIIC
Max. external inductivity $L_o$	5 mH
Max. external capacitance $C_o$	1 $\mu$ F
Additional text	mixed circuit
Group	IIB/IIA/IIIC
Max. external inductivity $L_o$	1 mH
Max. external capacitance $C_o$	1 $\mu$ F
Additional text	mixed circuit
Group	IIB/IIA/IIIC
Max. external inductivity $L_o$	10 $\mu$ H
Max. external capacitance $C_o$	1 $\mu$ F
Additional text	mixed circuit
Group	IIA
Max. external inductivity $L_o$	1000 mH
Max. external capacitance $C_o$	210 $\mu$ F
Additional text	simple circuit
Safety-related maximum voltage $U_m$	253 V AC (125 V DC)
Operation	Signal conditioner operation
Input voltage $U_i$	$\leq 30$ V
Input current $I_i$	$\leq 150$ mA
Max. internal inductance $L_i$	negligible
Max. internal capacitance $C_i$	negligible

# Repeater power supply - MACX MCR-EX-SL-RPSSI-2I - 2865366

## Technical data

### Standards and Regulations

Safety-related maximum voltage $U_m$	253 V AC (125 V DC)
--------------------------------------	---------------------

### Conformance/approvals

Designation	CE
Certificate	CE-compliant
Additional text	and EN 61326
Designation	ATEX
Identification	# II (1) G [Ex ia Ga] IIC
	# II (1) D [Ex ia Da] IIIC
	# II 3 (1) G Ex nA [ia Ga] IIC T4 Gc
Certificate	BVS 10 ATEX E 143 X
Designation	IECEX
Identification	[Ex ia Ga] IIC
	[Ex ia Da] IIIC
	Ex nA [ia Ga] IIC T4 Gc
Certificate	IECEX BVS 10.0097X
Designation	CCC / China-Ex
Identification	[Ex ia Ga] IIC
	[Ex iaD]
	Ex nA [ia Ga] IIC T4 Gc
Certificate	NEPSI GYJ20.1308X
Designation	UL, USA / Canada
Identification	IS for Class I,II,III, Division 1 and Zone 0
	Installation in Class I, Division 2 and Zone 2
Certificate	#, C.D.-No 83104549
Designation	UL, USA / Canada
Identification	Class I Div 2; IS for Class I, II, III Div 1
Certificate	#, C.D.-No 83104549
Designation	Shipbuilding approval
Certificate	DNV GL TAA000020C
Designation	Safety Integrity Level (SIL, IEC 61508)
Identification	2
Designation	Performance Level (ISO 13849)
Identification	d
Designation	EAC Ex
Identification	# [Ex ia Ga] IIC
	# [Ex ia Da] IIIC
Certificate	RU C-DE.AB72.B.00093/19
Designation	INMETRO
Identification	[Ex ia Ga] IIC
	[Ex ia Da] IIIC

# Repeater power supply - MACX MCR-EX-SL-RPSSI-2I - 2865366

## Technical data

### Conformance/approvals

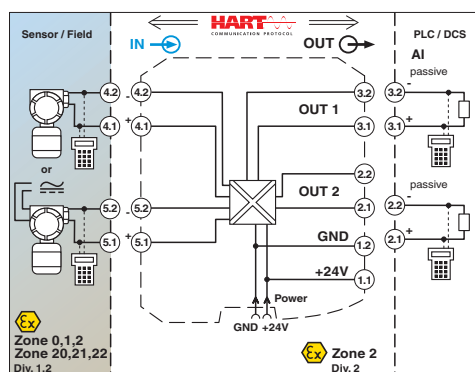
	Ex nA [ia Ga] IIC T4 Gc
Certificate	DNV 18.0139 X
Temperature	B
Humidity	B
Vibration	A
EMC	A
Enclosure	Required protection according to the Rules shall be provided upon installation on board

### Environmental Product Compliance

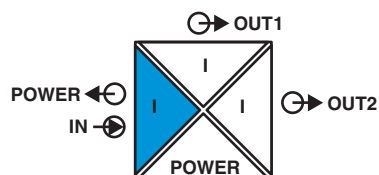
REACH SVHC	Lead 7439-92-1
China RoHS	Environmentally Friendly Use Period = 50 years
	For details about hazardous substances go to tab "Downloads", Category "Manufacturer's declaration"

## Drawings

Block diagram



Pictogram



## Classifications

### eCl@ss

eCl@ss 10.0.1	27210120
eCl@ss 11.0	27210120
eCl@ss 4.0	27210100
eCl@ss 4.1	27210100
eCl@ss 5.0	27210100
eCl@ss 5.1	27210100
eCl@ss 6.0	27210100
eCl@ss 7.0	27210120
eCl@ss 9.0	27210120

# Repeater power supply - MACX MCR-EX-SL-RPSSI-2I - 2865366

## Classifications

### ETIM

ETIM 4.0	EC002653
ETIM 6.0	EC002653
ETIM 7.0	EC002653

### UNSPSC

UNSPSC 6.01	30211506
UNSPSC 7.0901	39121008
UNSPSC 11	39121008
UNSPSC 12.01	39121008
UNSPSC 13.2	39121008
UNSPSC 18.0	39121008
UNSPSC 19.0	39121008
UNSPSC 20.0	39121008
UNSPSC 21.0	39121008

## Approvals

### Approvals

#### Approvals

UL Listed / cUL Listed / Functional Safety / DNV GL / CCC / cULus Listed

#### Ex Approvals

IECEX / UL Listed / cUL Listed / EAC Ex / ATEX / INMETRO / cULus Listed

### Approval details

UL Listed		<a href="http://database.ul.com/cgi-bin/XYV/template/LISEXT/1FRAME/index.htm">http://database.ul.com/cgi-bin/XYV/template/LISEXT/1FRAME/index.htm</a>	FILE E 330267
-----------	---	---	---------------

cUL Listed		<a href="http://database.ul.com/cgi-bin/XYV/template/LISEXT/1FRAME/index.htm">http://database.ul.com/cgi-bin/XYV/template/LISEXT/1FRAME/index.htm</a>	FILE E 330267
------------	---	---	---------------

Functional Safety	BVS PB 13-10-04
-------------------	-----------------

DNV GL		<a href="https://approvalfinder.dnvgl.com/">https://approvalfinder.dnvgl.com/</a>	TAA000020C
--------	---	---	------------



# Repeater power supply - MACX MCR-EX-SL-RPSSI-2I - 2865366

## Approvals

CCC		2020322 316001579
-----	--	-------------------

cULus Listed	
--------------	--

## Accessories

### Accessories

#### Device marking

Plastic label - UC-EMLP (11X9) - 0819291



Plastic label, Sheet, white, unlabeled, can be labeled with: BLUEMARK ID COLOR, BLUEMARK ID, BLUEMARK CLED, PLOTMARK, CMS-P1-PLOTTER, mounting type: adhesive, lettering field size: 11 x 9 mm, Number of individual labels: 10

Plastic label - UC-EMLP (11X9) YE - 0822602



Plastic label, Sheet, yellow, unlabeled, can be labeled with: BLUEMARK ID COLOR, BLUEMARK ID, BLUEMARK CLED, PLOTMARK, CMS-P1-PLOTTER, mounting type: adhesive, lettering field size: 11 x 9 mm, Number of individual labels: 10

Plastic label - UC-EMLP (11X9) SR - 0828094



Plastic label, Sheet, silver, unlabeled, can be labeled with: BLUEMARK ID COLOR, BLUEMARK ID, BLUEMARK CLED, PLOTMARK, CMS-P1-PLOTTER, mounting type: adhesive, lettering field size: 11 x 9 mm, Number of individual labels: 10

Plastic label - US-EMLP (11X9) - 0828789



Plastic label, Card, white, unlabeled, can be labeled with: BLUEMARK ID COLOR, BLUEMARK ID, THERMOMARK PRIME, THERMOMARK CARD 2.0, THERMOMARK CARD, mounting type: adhesive, lettering field size: 11 x 9 mm, Number of individual labels: 135

## Repeater power supply - MACX MCR-EX-SL-RPSSI-2I - 2865366

### Accessories

#### Plastic label - US-EMLP (11X9) YE - 0828871



Plastic label, Card, yellow, unlabeled, can be labeled with: BLUEMARK ID COLOR, BLUEMARK ID, THERMOMARK PRIME, THERMOMARK CARD 2.0, THERMOMARK CARD, mounting type: adhesive, lettering field size: 11 x 9 mm, Number of individual labels: 135

---

#### Plastic label - US-EMLP (11X9) SR - 0828872



Plastic label, Card, silver, unlabeled, can be labeled with: BLUEMARK ID COLOR, BLUEMARK ID, THERMOMARK PRIME, THERMOMARK CARD 2.0, THERMOMARK CARD, mounting type: adhesive, lettering field size: 11 x 9 mm, Number of individual labels: 135

---

#### Device marker - LS-EMLP (11X9) WH - 0831678



Device marker, Sheet, white, unlabeled, can be labeled with: TOPMARK NEO, TOPMARK LASER, mounting type: adhesive, lettering field size: 11 x 9 mm, Number of individual labels: 255

---

#### Device marker - LS-EMLP (11X9) SR - 0831705



Device marker, Sheet, silver, unlabeled, can be labeled with: TOPMARK NEO, TOPMARK LASER, mounting type: adhesive, lettering field size: 11 x 9 mm, Number of individual labels: 255

---

#### Device marker - LS-EMLP (11X9) YE - 0831732



Device marker, Sheet, yellow, unlabeled, can be labeled with: TOPMARK NEO, TOPMARK LASER, mounting type: adhesive, lettering field size: 11 x 9 mm, Number of individual labels: 255

---

### DIN rail connector

## Repeater power supply - MACX MCR-EX-SL-RPSSI-2I - 2865366

### Accessories

DIN rail bus connectors - ME 6,2 TBUS-2 1,5/5-ST-3,81 GY - 2695439



DIN rail connector (TBUS), 5-pos., for bridging the supply voltage, can be snapped onto NS 35/... DIN rails according to EN 60715

---

### Insulating sleeve

Insulating sleeve - MPS-IH WH - 0201663

Insulating sleeve, color: white



---

Insulating sleeve - MPS-IH RD - 0201676

Insulating sleeve, color: red



---

Insulating sleeve - MPS-IH BU - 0201689

Insulating sleeve, color: blue



---

Insulating sleeve - MPS-IH YE - 0201692

Insulating sleeve, color: yellow



## Repeater power supply - MACX MCR-EX-SL-RPSSI-2I - 2865366

### Accessories

Insulating sleeve - MPS-IH GN - 0201702

Insulating sleeve, color: green



Insulating sleeve - MPS-IH GY - 0201728

Insulating sleeve, color: gray



Insulating sleeve - MPS-IH BK - 0201731

Insulating sleeve, color: black



### Labeled device marker

Plastic label - UC-EMLP (11X9) CUS - 0824547



Plastic label, can be ordered: by sheet, white, labeled according to customer specifications, mounting type: adhesive, lettering field size: 11 x 9 mm

---

Plastic label - UC-EMLP (11X9) YE CUS - 0824548



Plastic label, can be ordered: by sheet, yellow, labeled according to customer specifications, mounting type: adhesive, lettering field size: 11 x 9 mm

---

## Repeater power supply - MACX MCR-EX-SL-RPSSI-2I - 2865366

### Accessories

Plastic label - UC-EMLP (11X9) SR CUS - 0828098



Plastic label, can be ordered: by sheet, silver, labeled according to customer specifications, mounting type: adhesive, lettering field size: 11 x 9 mm, Number of individual labels: 10

---

### Module carrier

Module carrier - TC-2D37SUB-ADIO32-2EX-P-UNI - 2904684



Universal Termination Carrier for connecting 16 two-channel MACX Analog Ex i signal conditioners to digital or analog I/O cards, via two D-SUB connectors, 37-pos. (1:1 connection)

---

### Power module

Power and error message module - MACX MCR-PTB - 2865625



Power and fault signaling module with screw connection, including corresponding ME 17,5 TBUS 1,5/ 5-ST-3,81 GY DIN rail connector

---

Power and error message module - MACX MCR-PTB-SP - 2924184



Power and fault signaling module with Push-in connection, including corresponding ME 17,5 TBUS 1,5/ 5-ST-3,81 GY DIN rail connector

---

### Power supply

Power supply unit - QUINT4-SYS-PS/1AC/24DC/2.5/SC - 2904614



Primary-switched power supply unit, QUINT POWER, Screw connection, DIN rail mounting, input: 1-phase, output: 24 V DC / 2.5 A

---

### Programming cable

## Repeater power supply - MACX MCR-EX-SL-RPSSI-2I - 2865366

### Accessories

Cable adapter - GW HART USB MODEM - 1003824



USB HART modem cable for communication between a PC and HART devices, cable length: 1m.

---

### Test plug terminal block

Test plugs - MPS-MT - 0201744



Test plugs, with solder connection up to 1 mm<sup>2</sup> conductor cross section, color: gray

---

Phoenix Contact 2021 © - all rights reserved  
<http://www.phoenixcontact.com>

PHOENIX CONTACT GmbH & Co. KG  
Flachsmarktstr. 8  
32825 Blomberg  
Germany  
Tel. +49 5235 300  
Fax +49 5235 3 41200  
<http://www.phoenixcontact.com>