

Module carrier - TC-2D37SUB-DO16-F&G-AR-UNI - 2902914

Please be informed that the data shown in this PDF Document is generated from our Online Catalog. Please find the complete data in the user's documentation. Our General Terms of Use for Downloads are valid (<http://phoenixcontact.com/download>)




Universal Termination Carrier for redundantly connecting 16 PSR-ETP modules to digital output cards, via two D-SUB connectors, 37-pos. (1:1 connection). Solution for Fire & Gas (F&G) applications

Your advantages

- Mechanically decoupled, passive PCB
- Robust aluminum profile with integrated DIN rail
- Side parts with integrated end clamps
- Redundant D-SUB pin strip system connection, 37-pos. (1:1 connection)
- Simple or redundant supply, decoupled from diode, protected against polarity reversal
- Error message in the event of power supply failure or fuse fault
- Relay output (N/O contact, floating) and flashing LED for error message
- Undervoltage monitoring at input at < 18 V DC
- Suitable for safe state on applications
- Cable sets for signal connection are not supplied as standard and must be ordered separately



Key Commercial Data

Packing unit	1 pc
GTIN	 4 046356 703710
GTIN	4046356703710

Technical data

Note

Utilization restriction	EMC: class A product, see manufacturer's declaration in the download area
-------------------------	---

Dimensions

Width	304 mm
Height	170 mm
Depth	159.5 mm

Module carrier - TC-2D37SUB-DO16-F&G-AR-UNI - 2902914

Technical data

Ambient conditions

Ambient temperature (operation)	-20 °C ... 60 °C
Ambient temperature (storage/transport)	-40 °C ... 80 °C
Maximum altitude	≤ 2000 m
Permissible humidity (operation)	5 % ... 95 % (non-condensing)
Degree of protection	IP00
Shock	15g, according to IEC 60068-2-27
Vibration (operation)	2g, according to IEC 60068-2-6

General

Nominal voltage U_N	< 50 V DC (Per signal/channel)
Max. permissible current	1 A (Signal/channel)

Supply

Designation	Device supply
Input voltage range	21.1 V DC ... 26.4 V DC
Input current	≤ 2 A
Redundant supply	yes, decoupled from diodes
Polarization and surge protection	Yes
Output name	Switching output
Contact type	1 N/C contact (alarm = open)
Fuse	2.5 A on PCB, slow-blow (replaceable)
Status display	2 x red LED (error)
	2x green LEDs (PWR1 and PWR2)

Connection data

Connection name	Power supply
Connection method	Screw connection
Stripping length	7 mm
Number of connections	1
Number of positions	6
Conductor cross section solid	0.14 mm ² ... 2.5 mm ²
Conductor cross section flexible	0.14 mm ² ... 2.5 mm ²
Conductor cross section AWG	24 ... 12

Connection data 2

Connection name	Controller level
Connection method	D-SUB pin strip
Number of connections	2
Number of positions	37

Standards and Regulations

Designation	Air clearances and creepage distances
Standards/regulations	DIN EN 50178

Module carrier - TC-2D37SUB-DO16-F&G-AR-UNI - 2902914

Technical data

Standards and Regulations

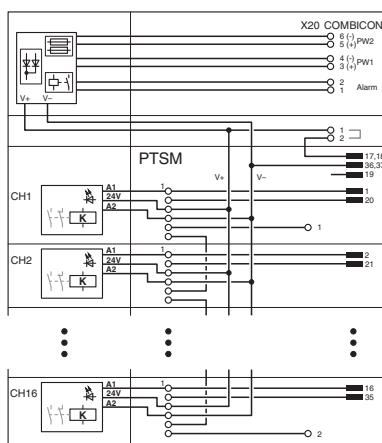
Rated insulation voltage	50 V
Rated surge voltage	0.5 kV
Insulation	Basic insulation
Shock	15g, according to IEC 60068-2-27
Vibration (operation)	2g, according to IEC 60068-2-6

Environmental Product Compliance

REACH SVHC	Lead 7439-92-1
China RoHS	Environmentally Friendly Use Period = 50 years
	For details about hazardous substances go to tab "Downloads", Category "Manufacturer's declaration"

Drawings

Circuit diagram



Connection scheme TC-2D37SUB-DO16-F&G-AR-UNI

Classifications

eCl@ss

eCl@ss 10.0.1	27141152
eCl@ss 11.0	27141152
eCl@ss 4.0	40020600
eCl@ss 4.1	40020600
eCl@ss 5.0	27371900
eCl@ss 5.1	27371900
eCl@ss 6.0	27371800
eCl@ss 7.0	27141152
eCl@ss 9.0	27141152

Module carrier - TC-2D37SUB-DO16-F&G-AR-UNI - 2902914

Classifications

ETIM

ETIM 4.0	EC002780
ETIM 6.0	EC002780
ETIM 7.0	EC002780

UNSPSC

UNSPSC 6.01	30211901
UNSPSC 7.0901	39121501
UNSPSC 11	39121501
UNSPSC 12.01	39121501
UNSPSC 13.2	39121432
UNSPSC 18.0	39121432
UNSPSC 19.0	39121432
UNSPSC 20.0	39121432
UNSPSC 21.0	39121432

Approvals

Approvals


Approvals


EAC / UL Listed / cUL Listed / cULus Listed

Ex Approvals

UL Listed / cUL Listed / cULus Listed

Approval details

EAC		RU C- DE.A*30.B.01742
-----	---	--------------------------

UL Listed		http://database.ul.com/cgi-bin/XYVV/template/LISEXT/1FRAME/index.htm	FILE E 330267
Nominal voltage UN	50 V		
Nominal current IN	1 A		

Module carrier - TC-2D37SUB-DO16-F&G-AR-UNI - 2902914

Approvals

cUL Listed		http://database.ul.com/cgi-bin/XYV/template/LISEXT/1FRAME/index.htm	FILE E 330267
Nominal voltage UN		50 V	
Nominal current IN		1 A	

cULus Listed	
--------------	--

Accessories

Necessary add-on products

Cable set - TC-C-PSR3-SC-A100V+A20000 - 2903391



Cable set for signal transmission and power supply on the Termination Carrier for coupling relays from the PSR-ETP series. Connection of terminal points A1 and A2 (signal transmission) as well as V+ (power supply) to the signal PCB. Suitable for PSR-SCP-24DC/ETP/1X1 (Item No. 2986711).

Coupling relay - PSR-SCP- 24DC/ETP/1X1 - 2986711



Coupling relay for SIL 3 low demand applications, couples digital output signals to the periphery, 1 enabling current path, module for F&G applications, test pulse filter, plug-in screw connection, 17.5 mm width

Coupling relay - PSR-PC50-1NO-1DO-24DC-SC - 2904664



Coupling relay for SIL 3 low demand applications, couples digital output signals to the periphery, 1 enabling current path, module for F&G applications, test pulse filter, plug-in screw connection, 17.5 mm width

Cable set - TC-C-PCX3-SC-A100V+A20000 - 2906003



Cable set for signal transmission and power supply on the Termination Carrier for PSR-PC50-1NO-1DO-24DC-SC (Item No. 2904664). Connection of terminal points A1 and A2 (signal transmission) as well as V+ (power supply) to the signal PCB.

Module carrier - TC-2D37SUB-DO16-F&G-AR-UNI - 2902914

Accessories

Plug - TC-C-PTSM-50-00000000J1J1 - 2903388



Jumper plug, for looping through the confirmation contacts of unused module slots. Use on the termination carrier for safety relay modules from the PSR-FSP series.

Cable - CABLE-D37SUB/B/B/ 100/KONFEK/S - 2305509



Assembled shielded round cable; connection 1: D-SUB socket strip (1x 37-position); connection 2: D-SUB socket strip (1x 37-position); cable length: 1 m

Cable - CABLE-D37SUB/B/B/ 200/KONFEK/S - 2305512



Assembled shielded round cable; connection 1: D-SUB socket strip (1x 37-position); connection 2: D-SUB socket strip (1x 37-position); cable length: 2 m

Cable - CABLE-D37SUB/B/B/ 300/KONFEK/S - 2305525



Assembled shielded round cable; connection 1: D-SUB socket strip (1x 37-position); connection 2: D-SUB socket strip (1x 37-position); cable length: 3 m

Cable - CABLE-D37SUB/B/B/ 400/KONFEK/S - 2900759



Assembled shielded round cable; connection 1: D-SUB socket strip (1x 37-position); connection 2: D-SUB socket strip (1x 37-position); cable length: 4 m

Module carrier - TC-2D37SUB-DO16-F&G-AR-UNI - 2902914

Accessories

Cable - CABLE-D37SUB/B/B/ 600/KONFEK/S - 2900760



Assembled shielded round cable; connection 1: D-SUB socket strip (1x 37-position); connection 2: D-SUB socket strip (1x 37-position); cable length: 6 m

Cable - CABLE-D37SUB/B/B/ 800/KONFEK/S - 2900761



Assembled shielded round cable; connection 1: D-SUB socket strip (1x 37-position); connection 2: D-SUB socket strip (1x 37-position); cable length: 8 m

Cable - CABLE-D37SUB/B/B/1000/KONFEK/S - 2900762



Assembled shielded round cable; connection 1: D-SUB socket strip (1x 37-position); connection 2: D-SUB socket strip (1x 37-position); cable length: 10 m

Cable - CABLE-D37SUB/B/B/1500/KONFEK/S - 2900763



Assembled shielded round cable; connection 1: D-SUB socket strip (1x 37-position); connection 2: D-SUB socket strip (1x 37-position); cable length: 15 m

Cable - CABLE-D37SUB/B/B/2000/KONFEK/S - 2900764



Assembled shielded round cable; connection 1: D-SUB socket strip (1x 37-position); connection 2: D-SUB socket strip (1x 37-position); cable length: 20 m

Module carrier - TC-2D37SUB-DO16-F&G-AR-UNI - 2902914

Accessories

Cable - CABLE-D-37SUB/F/OE/0,25/S/0,5M - 2926221



Assembled shielded round cable; connection 1: Single wires (37-position) (The wires are marked and fitted with ferrules. The braided shield is routed to a separate cable end.); connection 2: D-SUB socket strip (1x 37-position); cable length: 0.5 m

Cable - CABLE-D-37SUB/F/OE/0,25/S/1,0M - 2926234



Assembled shielded round cable; connection 1: Single wires (37-position) (The wires are marked and fitted with ferrules. The braided shield is routed to a separate cable end.); connection 2: D-SUB socket strip (1x 37-position); cable length: 1 m

Cable - CABLE-D-37SUB/F/OE/0,25/S/1,5M - 2926247



Assembled shielded round cable; connection 1: Single wires (37-position) (The wires are marked and fitted with ferrules. The braided shield is routed to a separate cable end.); connection 2: D-SUB socket strip (1x 37-position); cable length: 1.5 m

Cable - CABLE-D-37SUB/F/OE/0,25/S/2,0M - 2926250



Assembled shielded round cable; connection 1: Single wires (37-position) (The wires are marked and fitted with ferrules. The braided shield is routed to a separate cable end.); connection 2: D-SUB socket strip (1x 37-position); cable length: 2 m

Cable - CABLE-D-37SUB/F/OE/0,25/S/3,0M - 2926263



Assembled shielded round cable; connection 1: Single wires (37-position) (The wires are marked and fitted with ferrules. The braided shield is routed to a separate cable end.); connection 2: D-SUB socket strip (1x 37-position); cable length: 3 m

Module carrier - TC-2D37SUB-DO16-F&G-AR-UNI - 2902914

Accessories

Cable - CABLE-D-37SUB/F/OE/0,25/S/4,0M - 2926276



Assembled shielded round cable; connection 1: Single wires (37-position) (The wires are marked and fitted with ferrules. The braided shield is routed to a separate cable end.); connection 2: D-SUB socket strip (1x 37-position); cable length: 4 m

Cable - CABLE-D-37SUB/F/OE/0,25/S/6,0M - 2926289



Assembled shielded round cable; connection 1: Single wires (37-position) (The wires are marked and fitted with ferrules. The braided shield is routed to a separate cable end.); connection 2: D-SUB socket strip (1x 37-position); cable length: 6 m

Additional products

Label, highly flexible - EMLF (108XE)R - 0800549



Label, highly flexible, Roll, white, unlabeled, can be labeled with: THERMOMARK ROLLMASTER 300/600, THERMOMARK X1.2, THERMOMARK ROLL X1, THERMOMARK ROLL 2.0, THERMOMARK ROLL, mounting type: adhesive, lettering field size: 108 x 48000 mm, Number of individual labels: 1

Zack Marker strip, flat - ZBF 15:UNBEDRUCKT - 0811202



Zack Marker strip, flat, Strip, white, unlabeled, can be labeled with: PLOTMARK, CMS-P1-PLOTTER, mounting type: snapped, for terminal block width: 15 mm, lettering field size: 15 x 5.2 mm, Number of individual labels: 5