

6 5 4 3 2 1

E

E

D

D

C

C

B

B

A

A

6

5

4

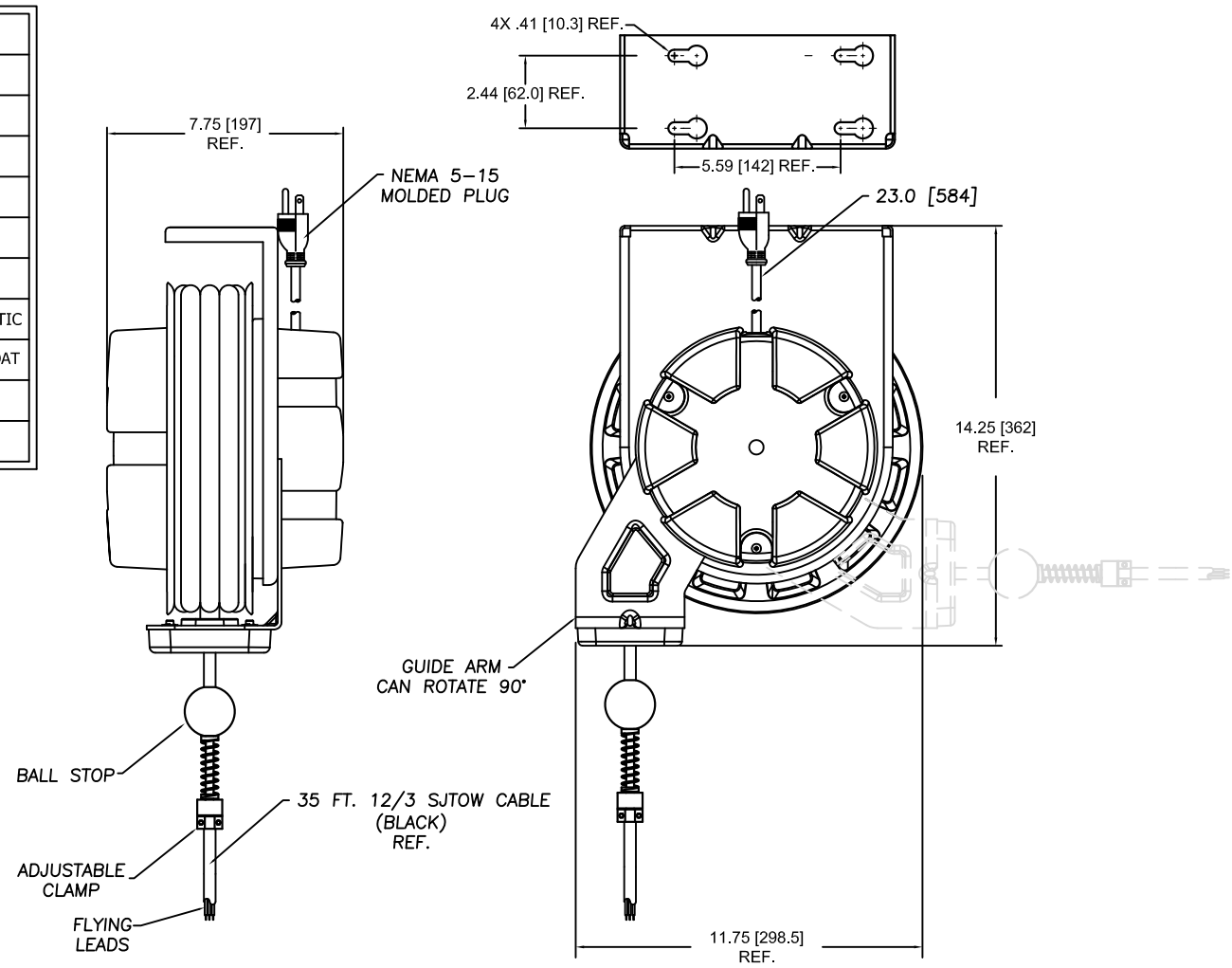
3

2

1

ORDER NO.	130091-0109
WOODHEAD ENG. NO.	997
WIRE GAUGE	12
CONDUCTORS	3
AMPERAGE	15A
CORD LENGTH	35 FT [10.6 M]
CORD TYPE	SJTOW
CONSTRUCTION	SHEET METAL/PLASTIC
PAINT	YELLOW POWDER COAT
REEL ENCLOSURE RATING	INDOOR
RETRACTION WEIGHT	3.0 LB [1.4 KG]

REFERENCE
USE ONLY



- NOTES:
1. CABLE GUIDE IS ADJUSTABLE - DUAL POSITION
 2. RATCHET LOCK IS EASY TO DISENGAGE FOR CONSTANT TENSION.
 3. REEL CANNOT BE "LOCKED OUT" AT FULL TENSION.
 4. BALL STOP AND AUTO ON/OFF SWITCH INCLUDED
 5. SWITCH IS "ON" WHEN RATCHET LOCK IS ENGAGED.

EC DESCRIPTION EC NO: --- DRWN: --- CHKD: --- APPR: ---	QUALITY SYMBOLS	GENERAL TOLERANCES (UNLESS SPECIFIED)		DIMENSION STYLE IN/MM		SCALE NTS	DESIGN UNITS INCH	THIRD ANGLE PROJECTION		
			mm	INCH	DRAWN BY KA	DATE 8-23-2013	TITLE 997SW			
		4 PLACES	±---	±---	CHECKED BY	DATE	CORD REEL W / 35' #12-3 SJOW & AUTO ON/OFF SWITCH			
		3 PLACES	±---	±.005	APPROVED BY		DATE	MOLEX INCORPORATED		SHEET NO.
2 PLACES	±0.13	±.010	MATERIAL NO.		1300910109	DOCUMENT NO.	997SW	SHEET		
1 PLACE	±0.25	±.020	ANGULAR ±1/2°		DRAFT WHERE APPLICABLE MUST REMAIN WITHIN DIMENSIONS		THIS DRAWING CONTAINS INFORMATION THAT IS PROPRIETARY TO MOLEX INCORPORATED AND SHOULD NOT BE USED WITHOUT WRITTEN PERMISSION			
A	REV			SIZE A						

6

5

4

3

2

1