

PPC-3241SW-MART

23.8" Panel PC with Win 10 LTSC and Intel® Core™ i5-7300U



Features

- 23.8" true-flat FHD TFT LCD with projected capacitive touch control
- Win 10 IOT LTSC, 8GB DDR4 SDRAM, 128GB 3D TLC SSD
- Fanless design with aluminum alloy enclosure
- Wide Range DC input (12-24V DC), Configurable RS-232/422/485
- IP65-rated front panel, Supports dual displays, VESA 100
- Supports TPM 2.0 (optional)
- No RED Certification



Introduction

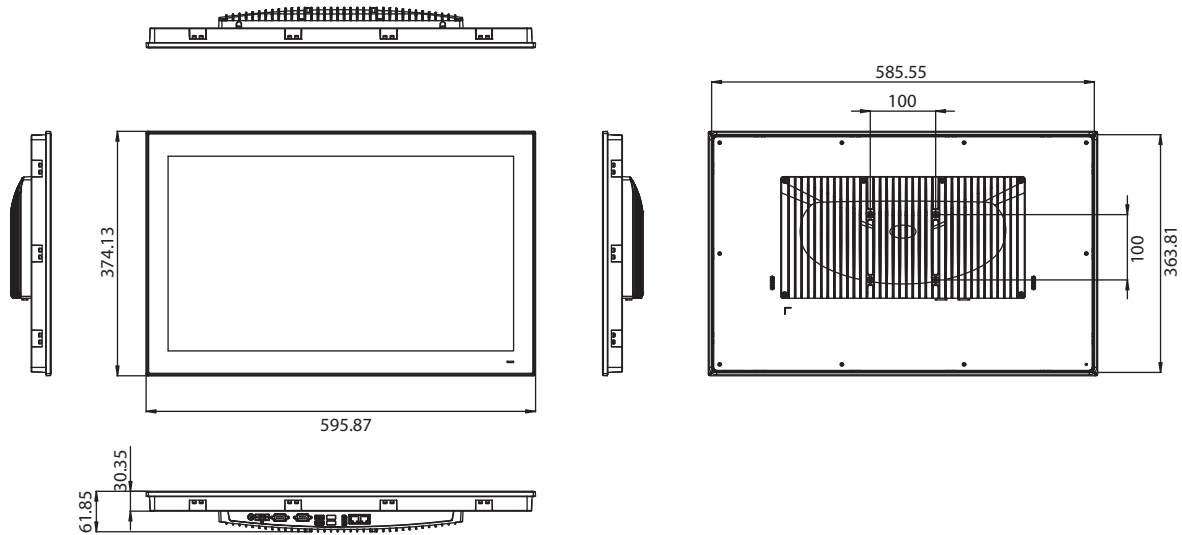
The PPC-3241SW-MART is an all-in-one light panel PC with a wide format 23.8" FHD industrial-grade LCD, Intel® Core™ i5-7300U, 8GB DDR4, 128GB SSD, 90W power adapter and Win 10 LTSC to provide high-performance computing in a compact and fanless system.

Specifications

System	CPU	i5-7300U
	Cores	Dual Core
	Frequency	2.6 GHz; 3.5 GHz with turbo boost
	L3 Cache	3 MB
	TDP	15W
	Memory	1 x 8GB SODIMM DDR4 2400 MHz
	Storage	1 x 128GB 2.5" 3D TLC SSD 1 x mSATA bay
	Network (LAN)	2 x 10/100/1000 Mbps Ethernet (Intel I211-AT; Intel I219LM)
	I/O	2 x Serial ports: 1 x RS-232, 1 x RS-232/422/485(Adjustable through BIOS) 2 x USB 3.0, 2 x USB 2.0 1 x HDMI 1 x TPM 2.0 internal (optional)
	Speaker	2 x 1W
Expansion	1 x Full-size mini PCIe slot	
Watchdog Timer	255 timer levels, set up by software	
Physical Characteristics	Dimensions	595.9 x 374.1 x 61.5 mm (23.5" x 14.7" x 2.4")
	Weight	8.6kg (18.96lb)
OS Support	OS Support	Microsoft® Windows 10 IOT LTSC
Power Consumption	Input Voltage	12 ~ 24 V _{DC} 100-240 V _{AC} (90W A/D adapter in the accessory box)
	Power Consumption	80W
LCD	Display Type	23.8" TFT LCD (LED backlight)
	Resolution	1920 x 1080
	Viewing Angle	89(left), 89(right), 89(up), 89(down)
	Luminance (cd/m ²)	350
	Contrast Ratio	1000
	Backlight Lifetime	30,000 hr
Touchscreen	Touch Type	10-point multi-touch projected capacitive
	Light Transmission	≥85%
	Controller	USB interface
Environment	Operating Temperature	0 ~ 50 °C (32 ~ 122 °F) for SSD
	Storage Temperature	-20 ~ 60 °C (-4 ~ 140 °F)
	Relative Humidity	10 ~ 95% @ 40 °C (non-condensing)
	Shock	Operating 10 G peak acceleration (11 ms duration), follow IEC 60068-2-27
	Vibration	Operating Random Vibration Test 5 ~ 500Hz, 1Grms @with HDD; 2Grms @with SSD, follow IEC 60068-2-64
	EMC	CE, FCC Class B, BSMI, EN60601-1-2
	Safety	CB, CCC, UL
Front Panel Protection	IP65 compliant	

Dimensions

Unit: mm

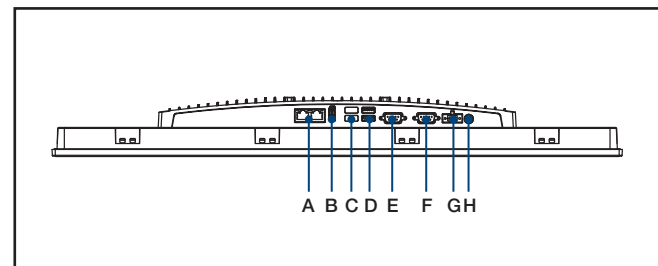


Panel Cutout Dimensions: 586.5 x 364.8 mm (23.09 x 14.36 in)

Ordering Information

Part Number	Description
PPC-3241SW-MART	23.8" Panel PC with Win 10 LTSC and i5-7300U, 8GB DDR4, 128GB 3D TLC SSD, 90W power adapter
PPC-WLAN-C1E	M.2 Wi-Fi Module with Antenna cable support 2T2R
PPC-ARM-A03	ARM VESA Standard (A-CLEVER) for PPC series
PPC-174T-WL-MTE	Wall mount kit for PPC series
PPC-Stand-A1E	Stand for PPC series
1702002600	Power Cable UL/CSA (USA) 180D 125V10A 1.83M
1702002605	Power Cable 90D 220V EUROPEAN 250V/6A 1.8M
96CB-POWER-B-1.8MA	POWER CORD for China 1.8M
98R3P315100	TPM 2.0 module

I/O View



- A. 2 x LAN
- B. HDMI
- C. 2 x USB 3.0
- D. 2 x USB 2.0
- E. COM2: RS-232/422/485
- F. COM1: RS-232
- G. DC-In
- H. Power Button

Please note: If some optional modules are offered with the system, additional system certificates may be required in certain regions/countries. Please contact Advantech for certificate compliance.