

PART NAME: KNOB & SKIRT ASSEMBLY | SCALE: 1:1 | DATE: 2/25/57 | DR. BY LSP

DAVIES MOLDING COMPANY
CAROL STREAM, ILLINOIS 60188

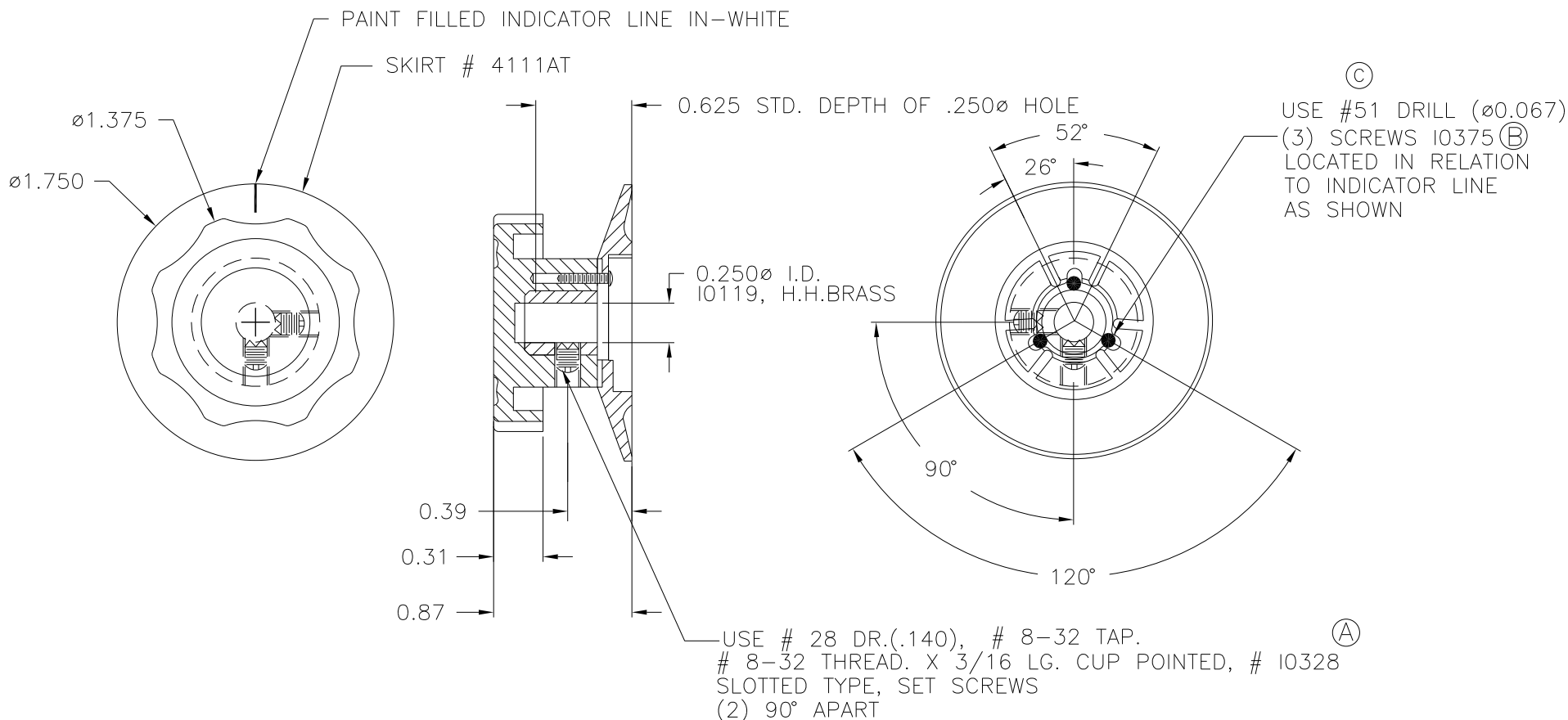
P/N 4107AR

THIS DRAWING IS THE PROPERTY OF DAVIES MOLDING COMPANY, IS SUBMITTED SOLELY AS A DESIGN OR ENGINEERING PROJECT. WE ACCEPT NO RESPONSIBILITY WHATSOEVER FOR THE PRACTICAL APPLICATION OF THE PIECES MADE TO THIS DESIGN.

BASE PART 4101-01

SKIRT 4111AT

SCREWS I0375 (3)



MATERIAL: G.P. PHENOLIC (B11)
COLOR: BLACK

TOLERANCES:
UNLESS OTHERWISE SPECIFIED

DO NOT SCALE
DRAWING

DECIMALS: X.XXX \pm .005
X.XX \pm .015

MM: X.XX \pm 0.15MM
X.X \pm 0.4MM

FRACTIONS \pm 1/64

ANG. \pm 1°

C	ADDED DRILL	JAM	2/5/14
-	UPDATED TOOLBOX	JAM	2/20/03
B	WAS I???	MH	1/08/99
A	ADDED I0328	MH	1/08/99
-	CAD/REDRAWN	HD	5/1/97

CHANGES