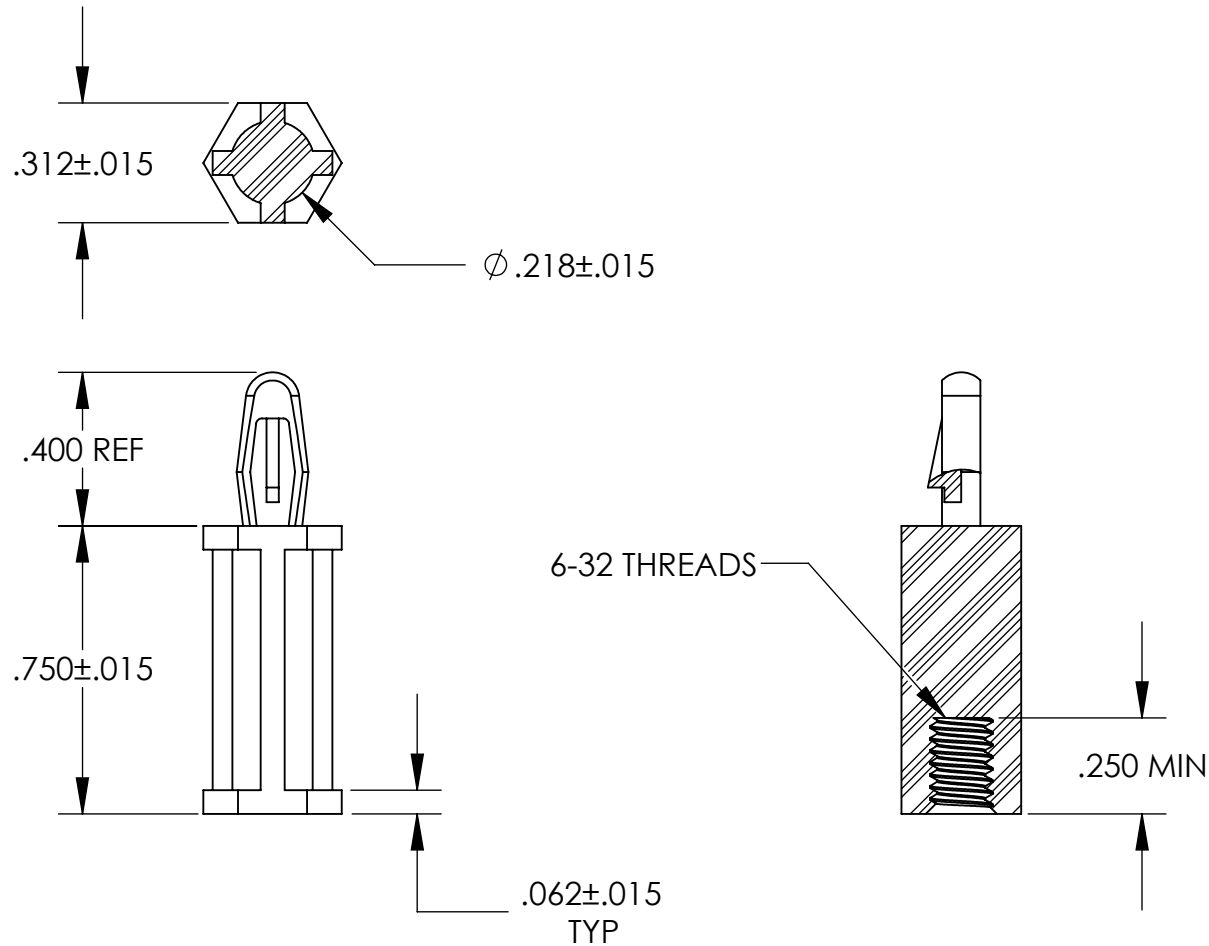


UNCONTROLLED DOCUMENT



NOTES:
 HOLE SIZE - .156
 PANEL THICKNESS - $.062 \pm .015$

TOLERANCES UNLESS NOTED

- $\pm .005$ ON DIMENSIONS THRU $.625$
- $\pm .008$ ON DIMENSIONS $.626$ THRU 1.000
- $\pm .010$ ON DIMENSIONS 1.001 THRU 1.500
- $\pm .015$ ON DIMENSIONS LARGER THAN 1.500
- $\pm .015$ ON FRACTIONAL DIMENSIONS

WE RESERVE THE RIGHT
 TO DISCONTINUE ITEMS,
 CHANGE SPECIFICATIONS
 OR DESIGN AT ANY TIME
 WITHOUT NOTICE AND
 WITHOUT INCURRING
 ANY OBLIGATIONS

PROPERTY OF
MICRO PLASTICS INC.

CATALOG DRAWING
 FEMALE CIRCUIT BOARD POST
 MICRO P/N 27FTP00750A
 DWG. # 27FTP00750A
 FILE SERVER\ENG\WEB

MATERIAL: NYLON 6/6

DATE

SCALE
 2:1

SD