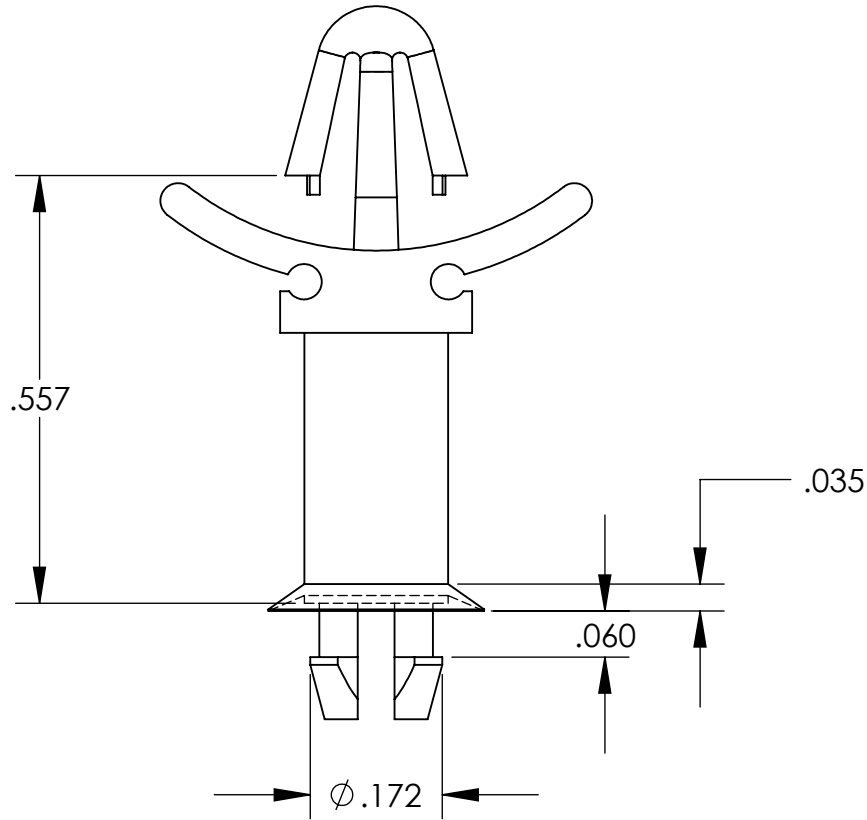


UNCONTROLLED DOCUMENT



NOTES:
 MSP END FITS A .156 HOLE
 LOCKING END FITS A .187 HOLE
 PANEL THICKNESS .030/.078

TOLERANCES UNLESS NOTED

- ±.005 ON DIMENSIONS THRU .625
- ±.008 ON DIMENSIONS .626 THRU 1.000
- ±.010 ON DIMENSIONS 1.001 THRU 1.500
- ±.015 ON DIMENSIONS LARGER THAN 1.500
- ±.015 ON FRACTIONAL DIMENSIONS

WE RESERVE THE RIGHT
 TO DISCONTINUE ITEMS,
 CHANGE SPECIFICATIONS
 OR DESIGN AT ANY TIME
 WITHOUT NOTICE AND
 WITHOUT INCURRING
 ANY OBLIGATIONS

PROPERTY OF
MICRO PLASTICS INC.

CATALOG DRAWING
 PCB SUPPORT LSP SERIES
 MICRO P/N 27LSP00437
 DWG. # 27LSP00437
 FILE SERVER\ENG\WEB

MATERIAL: NYLON 6/6

DATE	SCALE 4:1	SD
------	--------------	-----------