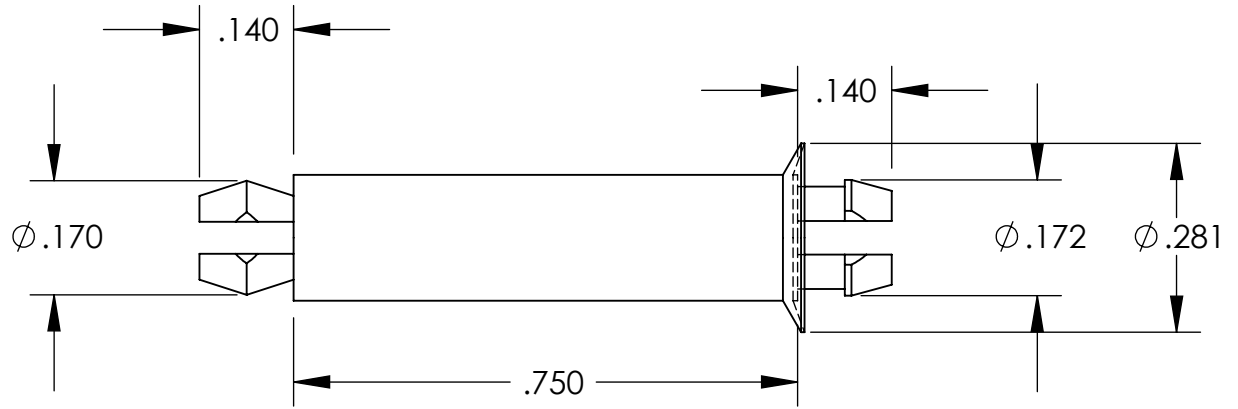
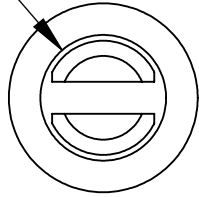
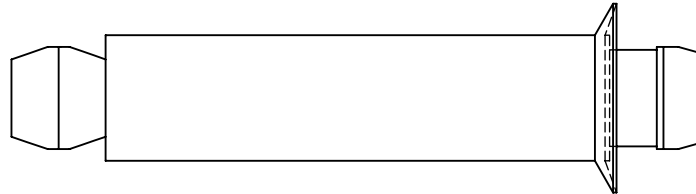


UNCONTROLLED DOCUMENT

Ø.187



NOTES:
 RECOMMENDED HOLE SIZE - .156
 PANEL THICKNESS - .062 ±.015



TOLERANCES UNLESS NOTED

- ±.005 ON DIMENSIONS THRU .625
- ±.008 ON DIMENSIONS .626 THRU 1.000
- ±.010 ON DIMENSIONS 1.001 THRU 1.500
- ±.015 ON DIMENSIONS LARGER THAN 1.500
- ±.015 ON FRACTIONAL DIMENSIONS

WE RESERVE THE RIGHT
 TO DISCONTINUE ITEMS,
 CHANGE SPECIFICATIONS
 OR DESIGN AT ANY TIME
 WITHOUT NOTICE AND
 WITHOUT INCURRING
 ANY OBLIGATIONS

PROPERTY OF
MICRO PLASTICS INC.

CATALOG DRAWING
 PCB POST "MSP" SERIES
 MICRO P/N 27MSP00750
 DWG. # 27MSP00750
 FILE SERVER\ENG\WEB

MATERIAL: 6/6 NYLON

DATE	SCALE 3.5:1	DSB
------	----------------	------------