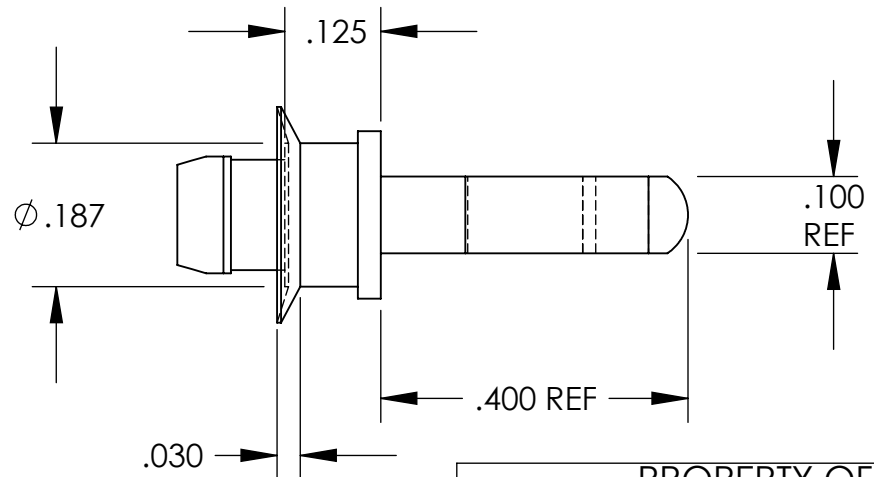
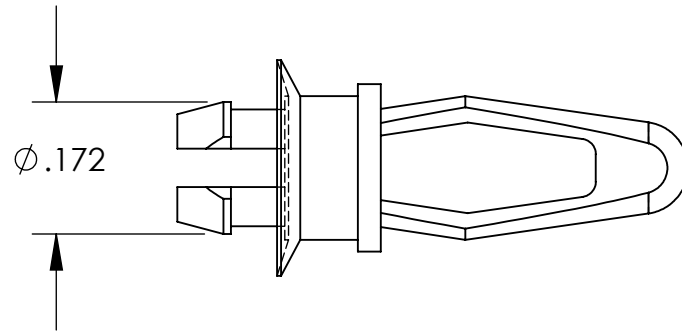
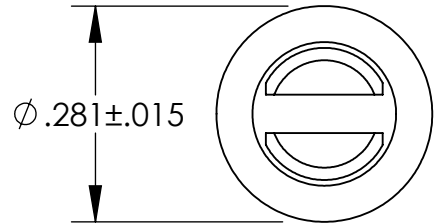


**UNCONTROLLED DOCUMENT**



NOTES:  
 SPRING END FITS  $\phi .156$  HOLE  
 LOCK OR TENSION END FITS  $\phi .156$  HOLE  
 PANEL THICKNESS  $.062 \pm .015$

**TOLERANCES UNLESS NOTED**

- $\pm .005$  ON DIMENSIONS THRU  $.625$
- $\pm .008$  ON DIMENSIONS  $.626$  THRU  $1.000$
- $\pm .010$  ON DIMENSIONS  $1.001$  THRU  $1.500$
- $\pm .015$  ON DIMENSIONS LARGER THAN  $1.500$
- $\pm .015$  ON FRACTIONAL DIMENSIONS

WE RESERVE THE RIGHT  
 TO DISCONTINUE ITEMS,  
 CHANGE SPECIFICATIONS  
 OR DESIGN AT ANY TIME  
 WITHOUT NOTICE AND  
 WITHOUT INCURRING  
 ANY OBLIGATIONS

PROPERTY OF  
**MICRO PLASTICS INC.**

CATALOG DRAWING  
 PCB SUPPORT "TCSP" SERIES  
 MICRO P/N 27TCSP00125  
 DWG. # 27TCSP00125  
 FILE SERVER\ENG\WEB

MATERIAL: 6/6 NYLON

DATE	SCALE 4:1	<b>DSB</b>
------	--------------	------------