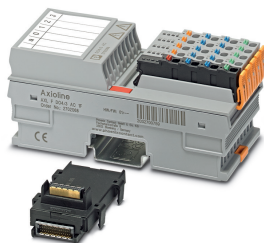


I/O module - AXL F DO4/3 AC 1F - 2702068

Please be informed that the data shown in this PDF Document is generated from our Online Catalog. Please find the complete data in the user's documentation. Our General Terms of Use for Downloads are valid (<http://phoenixcontact.com/download>)




Axioline F, Digital output module, Digital outputs: 4 (Triac outputs with zero voltage switch), 230 V AC, connection technology: 3-conductor, transmission speed in the local bus: 100 Mbps, degree of protection: IP20, including bus base module and Axioline F connectors

Your advantages

- 4 digital outputs
- Connection of actuators in 2- and 3-conductor technology
- Device rating plate stored
- Diagnostic and status indicators



Key Commercial Data

Packing unit	1 pc
GTIN	 4 046356 933087
GTIN	4046356933087

Technical data

Dimensions

Width	53.6 mm
Height	126.1 mm
Depth	54 mm
Note on dimensions	The depth is valid when a TH 35-7,5 DIN rail is used (according to EN 60715).

Ambient conditions

Ambient temperature (operation)	-25 °C ... 60 °C (max. 2 A/channel for wall mounting on horizontal DIN rail; max. 1 A/channel for any mounting position)
	-25 °C ... 50 °C (max. 2 A/channel for any mounting position)
Ambient temperature (storage/transport)	-40 °C ... 85 °C
Permissible humidity (operation)	5 % ... 95 % (non-condensing)
Permissible humidity (storage/transport)	5 % ... 95 % (non-condensing)

I/O module - AXL F DO4/3 AC 1F - 2702068

Technical data

Ambient conditions

Air pressure (operation)	70 kPa ... 106 kPa (up to 3000 m above sea level)
Air pressure (storage/transport)	70 kPa ... 106 kPa (up to 3000 m above sea level)
Degree of protection	IP20

Connection data

Designation	Axioline F connector
Connection method	Push-in connection
Note on the connection method	Please observe the information provided on conductor cross sections in the "Axioline F: system and installation" user manual. When selecting the cables, please note that in the case of a small conductor cross section and high current, the terminal point temperature may be up to 30 K above the ambient temperature.
Conductor cross section solid min.	0.5 mm ²
Conductor cross section solid max.	1.5 mm ²
Conductor cross section flexible min.	0.5 mm ²
Conductor cross section flexible max.	1.5 mm ²
Conductor cross section AWG min.	20
Conductor cross section AWG max.	16
Stripping length	8 mm

General

Mounting type	DIN rail
Color	traffic grey A RAL 7042
Net weight	239 g
Note on weight specifications	with connectors and bus base module
Mounting position	any (observe temperature and current derating)

Interfaces

Designation	Axioline F local bus
Number	2
Connection method	Bus base module
Transmission speed	100 Mbps

Axioline potentials

Designation	Axioline F local bus supply (U _{Bus})
Supply voltage	5 V DC (via bus base module)
Current consumption	max. 120 mA
Power consumption	max. 600 mW
Designation	Supply for digital output modules (U _O)
Supply voltage	230 V AC
Supply voltage range	12 V AC ... 253 V AC (including all tolerances, including ripple, 50 ... 60 Hz)
Current consumption	max. 8 A (provide external protection)
Power consumption	max. 2024 VA (of which 8 VA internal losses)

I/O module - AXL F DO4/3 AC 1F - 2702068

Technical data

Axioline potentials

Protective circuit	Surge protection Varistor 275 V
Protection	max. 8 A

Digital outputs

Output name	Digital outputs
Number of outputs	4 (Triac outputs with zero voltage switch)
Connection method	Push-in connection
Connection technology	3-conductor
Protective circuit	External protection required I ² t-value (a half-wave): 340 A ² s
Output voltage	230 V AC
Nominal output voltage	230 V AC
Output current per channel	max. 2 A
Output current of the device	8 A (provide external protection)
Nominal load, ohmic	max. 460 W (at nominal voltage)
Switching frequency	max. 100 per second (with ohmic load)
Load min.	5.1 kΩ (at 230 V)
Output voltage when switched off	see diagram
Behavior with overload	Output may be damaged
Reverse voltage resistance to short pulses	Reverse voltage proof

Electrical isolation

Test section	I/Os / logic 4 kV Rated surge voltage (safe isolation according to EN 61010-2-201/IEC 61010-2-201)
	I/Os / logic 5 kV Pulse test voltage according to EN 61850/IEC 61850
	I/O/functional ground 4 kV Rated surge voltage (safe isolation according to EN 61010-2-201/IEC 61010-2-201)
	I/O/functional ground 5 kV Pulse test voltage according to EN 61850/IEC 61850
	I/O area AC / PE 4 kV Rated surge voltage (basic insulation according to EN 61010-2-201/IEC 61010-2-201)

Standards and Regulations

Immunity to ESD	Noise immunity test in accordance with EN 61000-6-2 Electrostatic discharge (ESD) EN 61000-4-2/IEC 61000-4-2 Criterion B, 6 kV contact discharge, 8 kV air discharge
Immunity to EF	Noise immunity test in accordance with EN 61000-6-2 Electromagnetic fields EN 61000-4-3/IEC 61000-4-3 Criterion A, 20 V/m
Immunity to burst	Noise immunity test in accordance with EN 61000-6-2 Fast transients (burst) EN 61000-4-4/IEC 61000-4-4 Criterion A, 2.5 kV, criterion B, 4 kV
Immunity to surge	Noise immunity test in accordance with EN 61000-6-2 Transient overvoltage (surge) EN 61000-4-5/IEC 61000-4-5 Criterion A, AC and OUT supply lines: ±2 kV/±4 kV (symmetrical/asymmetrical)
Immunity to conducted interference	Noise immunity test in accordance with EN 61000-6-2 Conducted interference EN 61000-4-6/IEC 61000-4-6 Criterion A, Test voltage 10 V
Interference emission	Noise emission test according to EN 61000-6-3 Class B
Mechanical tests	Vibration resistance in acc. with EN 60068-2-6/IEC 60068-2-6 5g

I/O module - AXL F DO4/3 AC 1F - 2702068

Technical data

Standards and Regulations

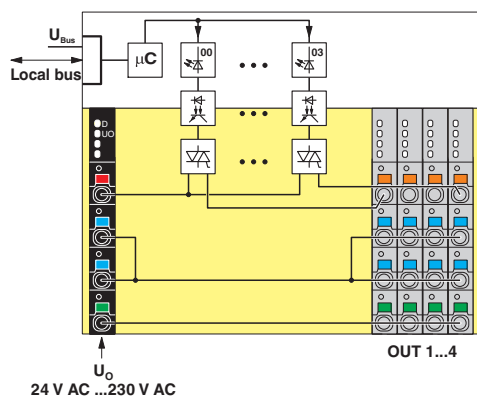
	Shock in acc. with EN 60068-2-27/IEC 60068-2-27 30g
	Continuous shock according to EN 60068-2-27/IEC 60068-2-27 10g
Developed according to standard	IEC 61850-3 Immunity to magnetic fields, EN 61000-4-8/IEC 61000-4-8 300 A/m continuous, 1000 A/m for 1 s
	IEC 61850-3 Immunity to attenuated oscillating magnetic fields, EN 61000-4-10/IEC 61000-4-10 100 A/m
	IEC 61850-3 Immunity to conducted common-mode interference, EN 61000-4-16/IEC 61000-4-16 30 V continuous, 300 V for 1 s
	IEC 61850-3 Attenuated oscillating waves, EN 61000-4-18/IEC 61000-4-18 1 kV symmetrical, 2.5 kV asymmetrical

Environmental Product Compliance

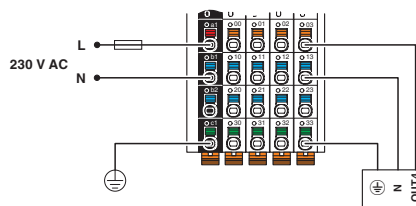
REACH SVHC	Lead 7439-92-1
China RoHS	Environmentally Friendly Use Period = 50 years
	For details about hazardous substances go to tab "Downloads", Category "Manufacturer's declaration"

Drawings

Block diagram



Connection diagram

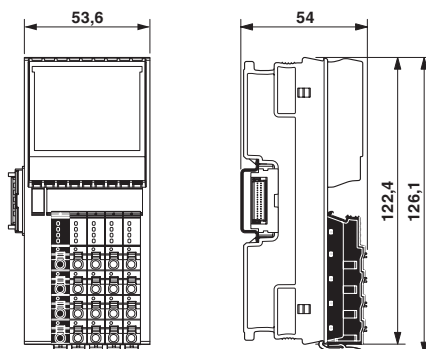


Connection in 3-conductor technology

Internal wiring of the terminal points

I/O module - AXL F DO4/3 AC 1F - 2702068

Dimensional drawing



Classifications

eCl@ss

eCl@ss 10.0.1	27242604
eCl@ss 11.0	27242604
eCl@ss 5.1	27242600
eCl@ss 6.0	27242600
eCl@ss 7.0	27242604
eCl@ss 9.0	27242604

ETIM

ETIM 6.0	EC001599
ETIM 7.0	EC001599

UNSPSC

UNSPSC 13.2	32151602
UNSPSC 18.0	32151602
UNSPSC 19.0	32151602
UNSPSC 20.0	32151602
UNSPSC 21.0	32151602

Approvals

Approvals

Approvals

UL Listed / cUL Listed / cULus Listed

Ex Approvals

Approval details

I/O module - AXL F DO4/3 AC 1F - 2702068

Approvals

UL Listed		http://database.ul.com/cgi-bin/XYV/template/LISEXT/1FRAME/index.htm	FILE E 238705
-----------	--	---	---------------

cUL Listed		http://database.ul.com/cgi-bin/XYV/template/LISEXT/1FRAME/index.htm	FILE E 238705
------------	--	---	---------------

cULus Listed			
--------------	--	--	--

Accessories

Accessories

Device marking

Insert label - EMT (35X46)R - 0801604



Insert label, for the Axioline F series from Phoenix Contact, Roll, white, unlabeled, can be labeled with: THERMOMARK ROLLMASTER 300/600, THERMOMARK X1.2, THERMOMARK ROLL X1, THERMOMARK ROLL 2.0, THERMOMARK ROLL, mounting type: snapped into marker carrier, lettering field size: 35 x 46 mm, Number of individual labels: 500

DIN rail connector

Bus connector - AXL F BS F - 2688129



Axioline F bus base module for housing type F

Terminal marking

Zack marker strip - ZB 20,3 AXL UNPRINTED - 0829579



Zack marker strip for Axioline F (device labeling), in 2 x 20.3 mm pitch, unprinted, 25-section, for individual labeling with B-STIFT 0.8, X-PEN, or CMS-P1-PLOTTER

I/O module - AXL F DO4/3 AC 1F - 2702068

Accessories

Zack Marker strip, flat - ZBF 7,5:UNBEDRUCKT - 0809942



Zack Marker strip, flat, Strip, white, unlabeled, can be labeled with: PLOTMARK, CMS-P1-PLOTTER, mounting type: snap into flat marker groove, for terminal block width: 7.5 mm, lettering field size: 5.15 x 7.4 mm, Number of individual labels: 10

Phoenix Contact 2021 © - all rights reserved
<http://www.phoenixcontact.com>

PHOENIX CONTACT GmbH & Co. KG
Flachsmarktstr. 8
32825 Blomberg
Germany
Tel. +49 5235 300
Fax +49 5235 3 41200
<http://www.phoenixcontact.com>