

## I/O module - AXL F RTD8 S 1F - 2702120

Please be informed that the data shown in this PDF Document is generated from our Online Catalog. Please find the complete data in the user's documentation. Our General Terms of Use for Downloads are valid (<http://phoenixcontact.com/download>)



Axioline F, Temperature recording module, Analog inputs: 8 (for resistance temperature detectors), connection method: 2-, 4-conductor (shielded), transmission speed in the local bus: 100 Mbps, measuring dynamics up to 8 Hz, degree of protection: IP20, including bus base module and Axioline F connectors

### Product Description

The module is designed for use within an Axioline F station.

It is used to acquire signals from resistive temperature sensors.

The module supports all common platinum sensors in accordance with DIN EN 60751 and SAMA, as well as nickel sensors in accordance with DIN 43760.

Cu10, Cu50, and Cu53 sensors are also supported.

### Your advantages

- ✓ 8 analog input channels for the connection of resistance temperature detectors (RTD)
- ✓ Linear inputs 500  $\Omega$
- ✓ Connection of sensors in 2- and 4-conductor technology
- ✓ Integrated, digital sensor linearization
- ✓ Standardized measured value representation directly in  $^{\circ}\text{C}$ ,  $^{\circ}\text{F}$  or  $\Omega$
- ✓ Measured value display in 16-bit format or floating point format
- ✓ 8 Hz measuring dynamics per channel
- ✓ Programmable filters
- ✓ Short-circuit protected inputs
- ✓ Device rating plate stored
- ✓ Diagnostic and status indicators
- ✓ Temperature stability
- ✓ Very high level of noise immunity
- ✓ Low noise emission
- ✓ Installation monitoring by means of "Channel scout" function



### Key Commercial Data

Packing unit	1 pc
GTIN	
GTIN	4046356977852

# I/O module - AXL F RTD8 S 1F - 2702120

## Technical data

### Dimensions

Caption	Dimensional drawing
Width	53.6 mm
Height	126.1 mm
Depth	54 mm
Note on dimensions	The depth is valid when a TH 35-7,5 DIN rail is used (according to EN 60715).

### Ambient conditions

Ambient temperature (operation)	-25 °C ... 60 °C
Ambient temperature (storage/transport)	-40 °C ... 85 °C
Permissible humidity (operation)	5 % ... 95 % (non-condensing)
Permissible humidity (storage/transport)	5 % ... 95 % (non-condensing)
Air pressure (operation)	70 kPa ... 106 kPa (up to 3000 m above sea level)
Air pressure (storage/transport)	70 kPa ... 106 kPa (up to 3000 m above sea level)
Degree of protection	IP20

### Connection data

Designation	Axiline F connector
Connection method	Push-in connection
Note on the connection method	Please observe the information provided on conductor cross sections in the "Axiline F: system and installation" user manual.
Conductor cross section solid min.	0.2 mm <sup>2</sup>
Conductor cross section solid max.	1.5 mm <sup>2</sup>
Conductor cross section flexible min.	0.2 mm <sup>2</sup>
Conductor cross section flexible max.	1.5 mm <sup>2</sup>
Conductor cross section AWG min.	24
Conductor cross section AWG max.	16
Stripping length	8 mm

### General

Mounting type	DIN rail
Color	traffic grey A RAL 7042
Net weight	241.3 g
Note on weight specifications	with connectors and bus base module
Mounting position	any (no temperature derating)

### Interfaces

Designation	Axiline F local bus
Number	2
Connection method	Bus base module
Transmission speed	100 Mbps

### Axiline potentials

## I/O module - AXL F RTD8 S 1F - 2702120

### Technical data

#### Axioline potentials

Designation	Axioline F local bus supply ( $U_{BUS}$ )
Supply voltage	5 V DC (via bus base module)
Current consumption	typ. 115 mA
	max. 180 mA
Power consumption	typ. 0.58 W
	max. 0.9 W
Designation	Supply for analog modules ( $U_A$ )
Supply voltage	24 V DC
Supply voltage range	19.2 V DC ... 30 V DC (including all tolerances, including ripple)
Current consumption	typ. 15 mA
	max. 25 mA
Power consumption	max. 0.6 W
Protective circuit	Surge protection electronic (35 V, 0.5 s)
	Reverse polarity protection Polarity protection diode
	Transient protection Suppressor diode
Power consumption	typ. 0.94 W (at $U_{BUS}$ and $U_A$ )
	max. 1.5 W (at $U_{BUS}$ and $U_A$ )

#### Analog inputs

Number of inputs	8 (for resistance temperature detectors)
Input name	Analog inputs
Description of the input	Inputs for resistive temperature sensors
Connection method	Push-in connection
Connection technology	2-, 4-conductor (shielded)
Sensor types (RTD) that can be used	Pt, Ni, Cu sensors
Linear resistance measuring range	0 $\Omega$ ... 500 $\Omega$
Nominal value of the current sources	1 mA (Pt 100, Ni 100, $R_{Lin}$ 500 $\Omega$ ; pulse current, the specification is valid during the sampling phase)
Measured value representation	16 bits (15 bits + sign bit)
A/D converter resolution	24 bit
Type of protection	Short-circuit protection, overload protection of the inputs
	Transient protection of inputs
	Transient protection of sensor supplies
Data formats	IB IL, S7-compatible
Input filter time	8 ms

#### Electrical isolation

Test section	5 V supply of the local bus ( $U_{BUS}$ ) / 24 V supply (I/Os) 500 V AC 50 Hz 1 min.
	5 V supply of the local bus ( $U_{BUS}$ ) / functional ground 500 V AC 50 Hz 1 min.
	24 V supply (I/O) / functional ground 500 V AC 50 Hz 1 min.

# I/O module - AXL F RTD8 S 1F - 2702120

## Technical data

### Standards and Regulations

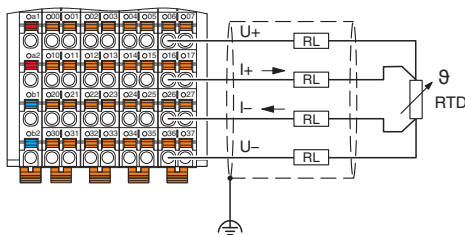
Immunity to ESD	Noise immunity test in accordance with EN 61000-6-2 Electrostatic discharge (ESD) EN 61000-4-2/IEC 61000-4-2 Criterion B, 6 kV contact discharge, 8 kV air discharge
Immunity to EF	Noise immunity test in accordance with EN 61000-6-2 Electromagnetic fields EN 61000-4-3/IEC 61000-4-3 Criterion A, Field intensity: 10 V/m
Immunity to burst	Noise immunity test in accordance with EN 61000-6-2 Fast transients (burst) EN 61000-4-4/IEC 61000-4-4 Criterion B, 2 kV
Immunity to surge	Noise immunity test in accordance with EN 61000-6-2 Transient overvoltage (surge) EN 61000-4-5/IEC 61000-4-5 Criterion B, supply lines DC: $\pm 0.5 \text{ kV}/\pm 0.5 \text{ kV}$ (symmetrical/asymmetrical), $\pm 1 \text{ kV}$ to shielded I/O cables
Immunity to conducted interference	Noise immunity test in accordance with EN 61000-6-2 Conducted interference EN 61000-4-6/IEC 61000-4-6 Criterion A, Test voltage 10 V
Interference emission	Noise emission test according to EN 61000-6-3 Class B
Mechanical tests	Vibration resistance in acc. with EN 60068-2-6/IEC 60068-2-6 5g
	Shock in acc. with EN 60068-2-27/IEC 60068-2-27 30g
	Continuous shock according to EN 60068-2-27/IEC 60068-2-27 10g
Protection class	III (IEC 61140, EN 61140, VDE 0140-1)

### Environmental Product Compliance

REACH SVHC	Lead 7439-92-1
China RoHS	Environmentally Friendly Use Period = 50 years
	For details about hazardous substances go to tab "Downloads", Category "Manufacturer's declaration"

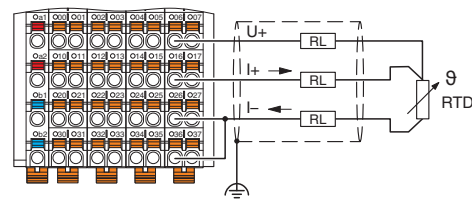
## Drawings

Connection diagram



Connection example: 4-conductor connection

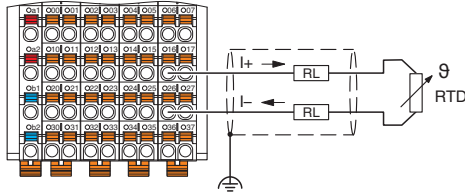
Connection diagram



Connection example: 3-conductor connection with external bridge

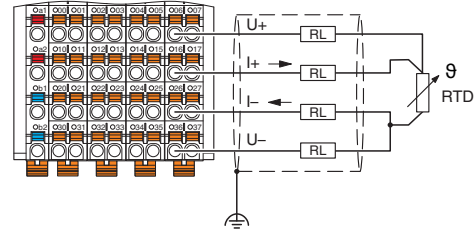
# I/O module - AXL F RTD8 S 1F - 2702120

Connection diagram



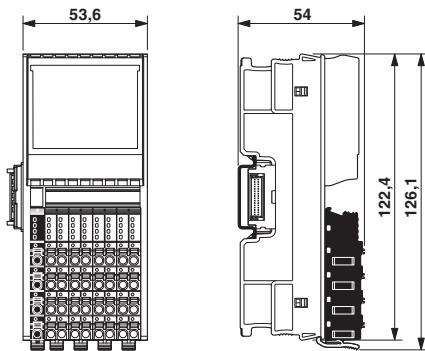
Connection example: 2-conductor connection

Connection diagram



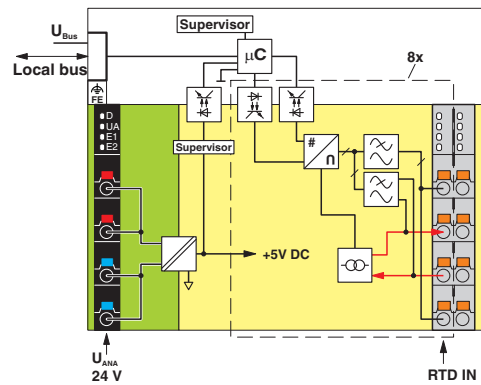
Connection example: 4-conductor connection for 3-conductor sensor with long supply lines

Dimensional drawing



Dimensional drawing

Block diagram



Internal wiring of the terminal points

## Classifications

### eCI@ss

eCI@ss 10.0.1	27242601
eCI@ss 5.1	27242600
eCI@ss 6.0	27242600
eCI@ss 7.0	27242601
eCI@ss 9.0	27242601

### ETIM

ETIM 6.0	EC001596
ETIM 7.0	EC001596

### UNSPSC

UNSPSC 13.2	32151602
UNSPSC 18.0	32151602
UNSPSC 19.0	32151602
UNSPSC 20.0	32151602

# I/O module - AXL F RTD8 S 1F - 2702120

## Classifications

### UNSPSC

UNSPSC 21.0	32151602
-------------	----------

## Accessories

### Accessories

#### Device marking

Insert label - EMT (35X46)R - 0801604



Insert label, for the Axioline F series from Phoenix Contact. Roll, white, unlabeled, can be labeled with: THERMOMARK ROLLMASTER 300/600, THERMOMARK X1.2, THERMOMARK ROLL X1, THERMOMARK ROLL 2.0, THERMOMARK ROLL, mounting type: snapped into marker carrier, lettering field size: 35 x 46 mm, Number of individual labels: 500

---

## DIN rail connector

Bus connector - AXL F BS F - 2688129



Axioline F bus base module for housing type F

---

## Shield connection

Shield connection - AXL SHIELD SET - 2700518



Axioline shield connection set (contains 2 shield bus holders and 2 SK 5 shield connection clamps)

---

## Terminal marking

Zack marker strip - ZB 20,3 AXL UNPRINTED - 0829579



Zack marker strip for Axioline F (device labeling), in 2 x 20.3 mm pitch, unprinted, 25-section, for individual labeling with B-STIFT 0.8, X-PEN, or CMS-P1-PLOTTER

## I/O module - AXL F RTD8 S 1F - 2702120

### Accessories

Zack Marker strip, flat - ZBF 10/5,8 AXL UNPRINTED - 0829580



Zack Marker strip, flat, Strip, white, unlabeled, can be labeled with: PLOTMARK, CMS-P1-PLOTTER, mounting type: snap into flat marker groove, for terminal block width: 10.15 mm, lettering field size: 4 of 10.15 x 5 mm and 1 of 5.8 x 5 mm, Number of individual labels: 50

---

Phoenix Contact 2021 © - all rights reserved  
<http://www.phoenixcontact.com>

PHOENIX CONTACT GmbH & Co. KG  
Flachsmarktstr. 8  
32825 Blomberg  
Germany  
Tel. +49 5235 300  
Fax +49 5235 3 41200  
<http://www.phoenixcontact.com>