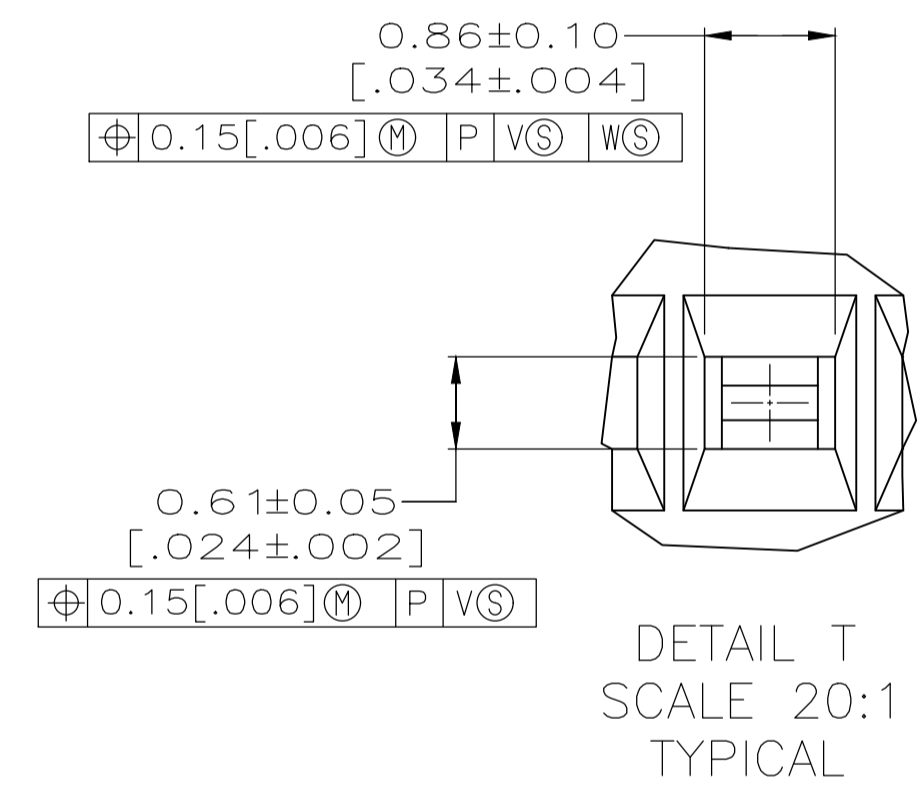
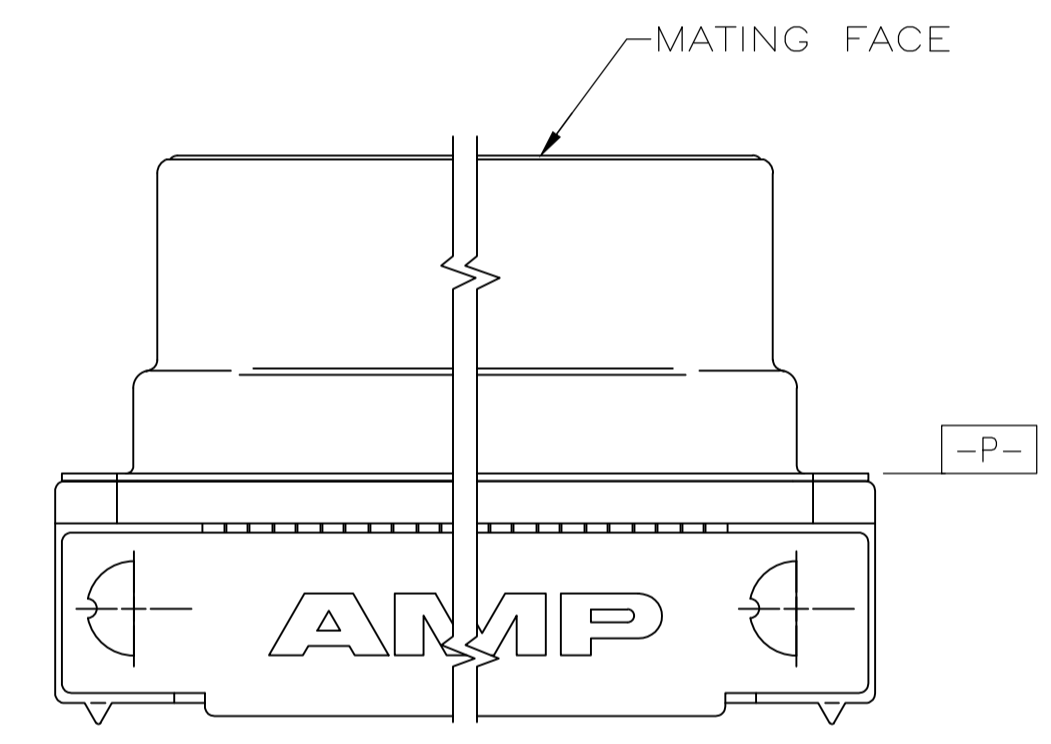
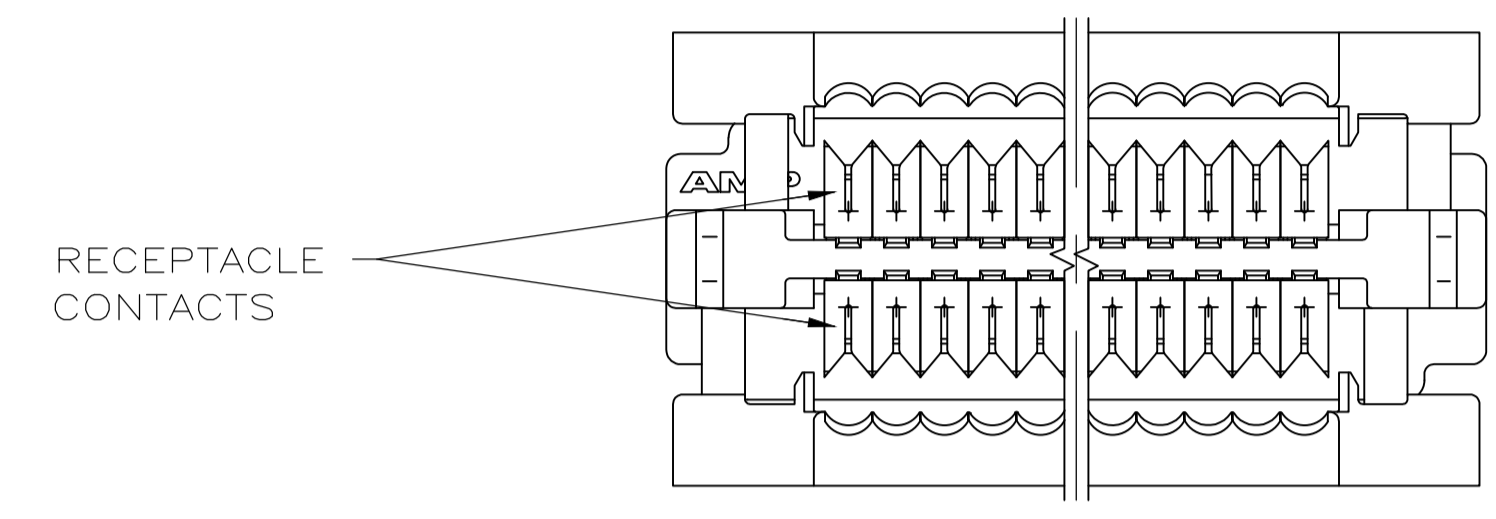
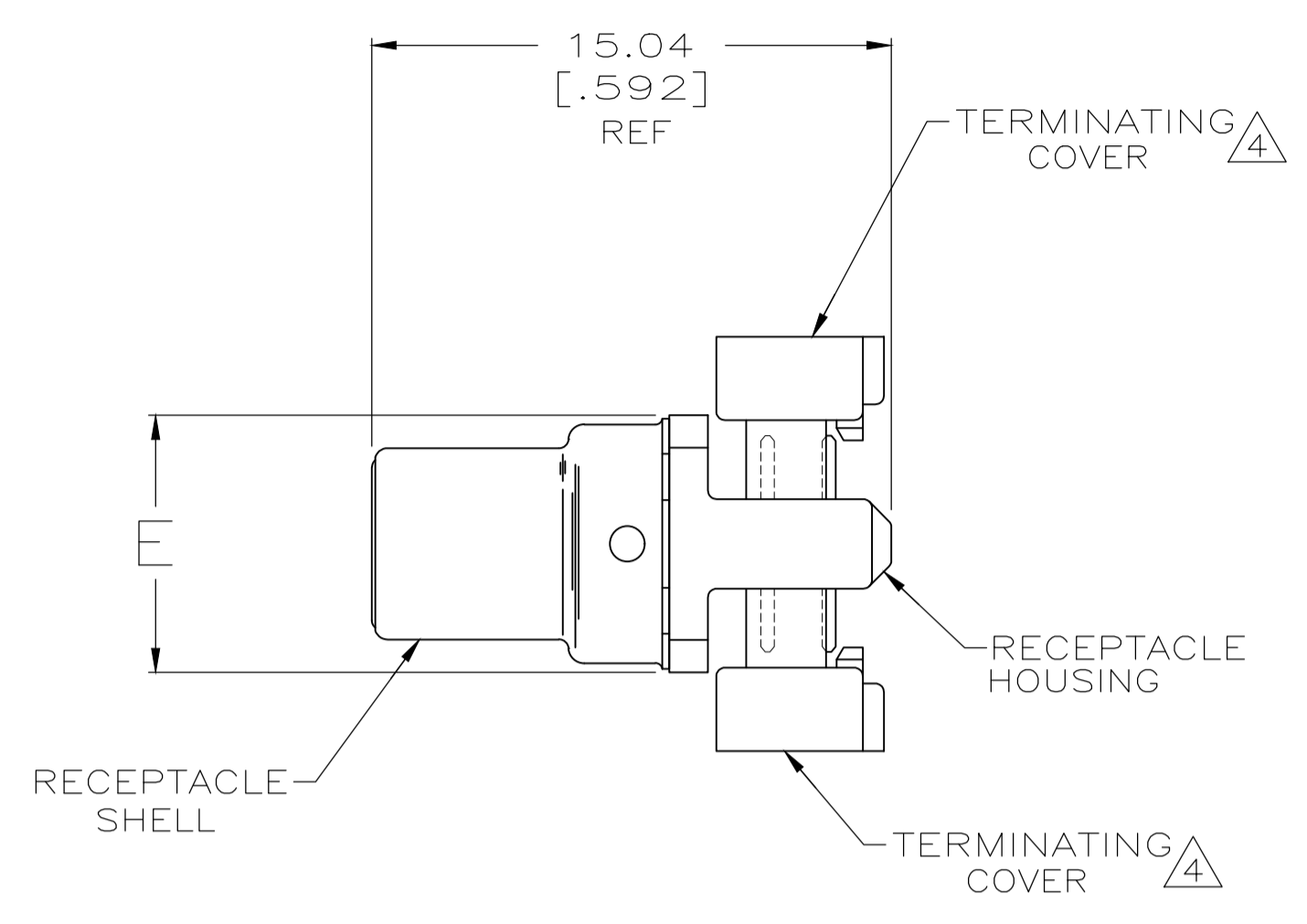
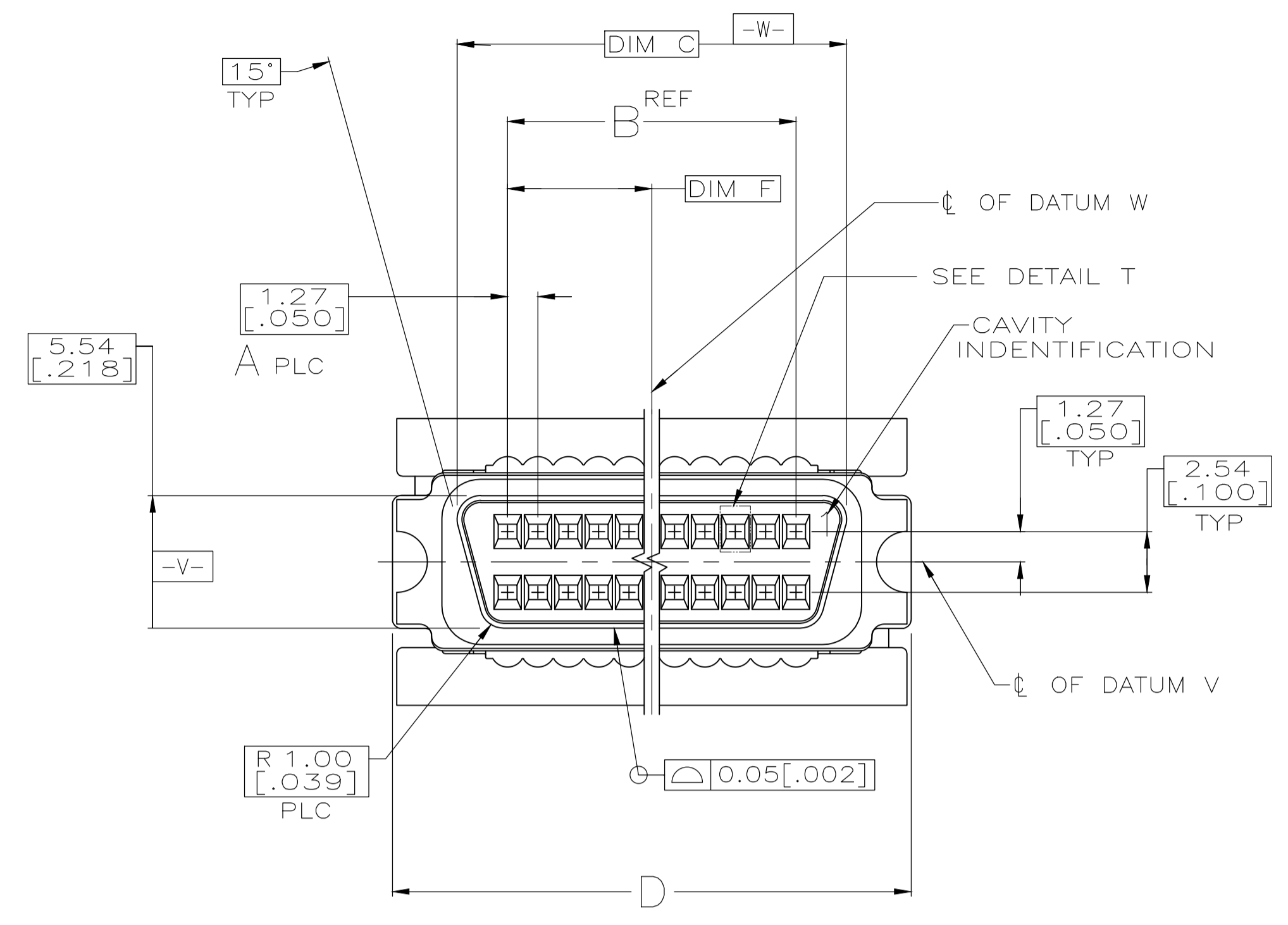


REVISIONS					
P	LTR	DESCRIPTION	DATE	DNW	APVD
E		REVISED PER ECO-20-011341	13AUG2020	AK	JW



- 1 MATERIAL:  
RECEPTACLE CONTACTS- PHOSPHOR BRONZE  
RECEPTACLE SHELL- STEEL  
RECEPTACLE HOUSING AND TERMINATING COVERS- UL V-0 RATED THERMOPLASTIC, COLOR: BLACK.
- 2 FINISH:  
RECEPTACLE CONTACTS - EITHER 0.76µm [.000030] MINIMUM GOLD PLATE OR GOLD FLASH OVER PALLADIUM NICKEL PLATE, 0.76µm [.000030] MINIMUM TOTAL IN CONTACT AREA, 1.27µm [.000050] MINIMUM BRIGHT TIN PLATE IN TERMINATION AREA, ALL OVER 1.27µm [.000050] MINIMUM NICKEL.  
RECEPTACLE SHELL- 5.08µm [.000200] MINIMUM BRIGHT NICKEL PLATE OVER 1.27µm [.000050] MINIMUM COPPER.
- 3. RECOMMENDED WIRE: 28 AWG OR 30 AWG, SOLID OR 7 STRANDED, PVC INSULATION WITH A 0.74-0.91 [.029-.036] INSULATION DIA.
- 4 TERMINATING COVERS ARE PACKAGED SEPERATELY.

31.12	9.47	71.86	66.45	62.23	49	100	5749699-8
[1.225]	[.373]	[2.829]	[2.616]	[2.450]			
20.96	7.44	51.54	46.13	41.91	33	68	5749699-7
[.825]	[.293]	[2.029]	[1.816]	[1.650]			
15.24	7.44	40.11	34.70	30.48	24	50	5749699-5
[.600]	[.293]	[1.579]	[1.366]	[1.200]			
12.06	7.44	33.76	28.35	24.13	19	40	5749699-4
[.475]	[.293]	[1.329]	[1.116]	[.950]			
F	E	D	C	B	A	NO OF POSN	PART NO

**COPYRIGHT 2005  
TE CONNECTIVITY CORP  
ALL RIGHTS RESERVED**

THIS DRAWING IS A CONTROLLED DOCUMENT.

DIMENSIONS: mm [INCHES]	TOLERANCES UNLESS OTHERWISE SPECIFIED:	DIN G. ATTADIA - 02-23-05 S. SHUEY - 02-23-05	APVD M. WALMSLEY - 02-23-05	NAME
0 PLC ± - 1 PLC ± - 2 PLC ± 0.13 [.005] 3 PLC ± - 4 PLC ± - ANGLES ± -				KIT, RECEPTACLE CABLE CONNECTOR ASSEMBLY, AMPLIMITE .050 Series
MATERIAL	FINISH	SIZE	CAGE CODE	DRAWING NO
		A1	00779	5749699
CUSTOMER DRAWING		SCALE	SHEET	REV
		4:1	1 of 1	E