

ACT20P ACT20P-AI-AO-DC-S

Weidmüller Interface GmbH & Co. KG
Klingenbergstraße 16
D-32758 Detmold
Germany
Fon: +49 5231 1429-0
Fax: +49 5231 14292083
www.weidmueller.com



ACT20P: The flexible solution

- Precise and highly functional signal converters
- Simple configuration via display (Pro DCDC II), FDT/DTM software or DIP switch
- Release levers simplify handling
- More space in the control cabinet, from 12.5 mm wide for two channels

General ordering data

Type	ACT20P-AI-AO-DC-S
Order No.	1477420000
Version	ACT20P, Signal converter/insulator, Input, DC U/I signals, Screw connection
GTIN (EAN)	4050118284959
Qty.	1 pc(s).

ACT20P
ACT20P-AI-AO-DC-S

Weidmüller Interface GmbH & Co. KG
 Klingenbergstraße 16
 D-32758 Detmold
 Germany
 Fon: +49 5231 1429-0
 Fax: +49 5231 14292083
 www.weidmueller.com

Technical data
Dimensions and weights

Width	12.5 mm	Width (inches)	0.492 inch
Height	117.2 mm	Height (inches)	4.614 inch
Depth	113.7 mm	Depth (inches)	4.476 inch
Weight	80 g	Net weight	80 g

Temperatures

Humidity	10...90 % (no condensation)	Operating temperature	-20 °C...60 °C
Storage temperature	-25 °C...70 °C		

Input

Number of inputs	1	Sensor supply	24 V DC
Input voltage	configurable, 0...11 V (min. measurement range 2V)	Input resistance, voltage	≥ 1 MΩ
Input current	configurable, 0...22 mA (min. measurement range 4 mA)	Input resistance, current	100 Ω
Resolution	3.5 μA / 1.76 mV per bit		

Output

Number of outputs	1	Output voltage, note	adjustable, 0...11 V, min. output range 2V
Output current	adjustable, 0...22 mA, min. output range 4 mA	load impedance voltage	≥ 500 kΩ
load impedance current	≤ 1kΩ	Offset voltage	≤ 20 mV

General data

Configuration	DIP switch, Keys and LED display	Galvanic isolation	3-way isolator, between input/output/supply
Linearity	< ± 0.1 % of signal range, Typ. ± 0.05 % of signal range	Long-term drift	0.1 % / 10.000 h
Mounting rail	TS 35	Power consumption, typ.	3 W
Step response time	350 ms	Supply voltage	12...60 V DC
Temperature coefficient	< 0.05 % / °C		

Insulation coordination

EMC standards	IEC 61326-1	Galvanic isolation	3-way isolator, between input/output/supply
Impulse withstand voltage	4 kV (1.2/50 μs)	Insulation voltage Standards	2 kV inputs / outputs IEC 61326-1:2012, UL 61010-1:2012, 3rd Edition
Pollution severity	2		
Surge voltage category	III		

Data sheet

**ACT20P
ACT20P-AI-AO-DC-S**

Weidmüller Interface GmbH & Co. KG
Klingenbergstraße 16
D-32758 Detmold
Germany
Fon: +49 5231 1429-0
Fax: +49 5231 14292083
www.weidmueller.com

Technical data

Connection data

Type of connection	Screw connection	Tightening torque, min.	0.4 Nm
Tightening torque, max.	0.6 Nm	Clamping range, rated connection	1.5 mm ²
Clamping range, rated connection, min.	0.5 mm ²	Clamping range, rated connection, max.	2.5 mm ²
Wire connection cross section AWG, min.	AWG 30	Wire connection cross section AWG, max.	AWG 14

Classifications

ETIM 6.0	EC002653	eClass 6.2	27-21-01-20
eClass 9.1	27-21-01-20		

Approvals

Approvals



ROHS Conform

Downloads

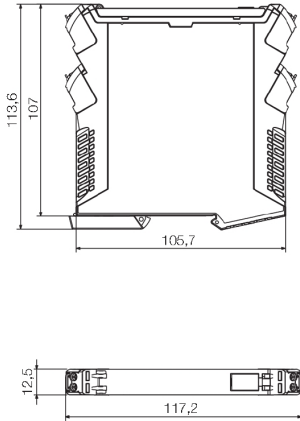
Approval/Certificate/Document of Conformity	Declaration of Conformity Declaration of Conformity
Brochure/Catalogue	CAT 4.1 ELECTR 16/17 EN
User Documentation	Instruction sheet

Data sheet

**ACT20P
ACT20P-AI-AO-DC-S**

Weidmüller Interface GmbH & Co. KG
 Klingenbergstraße 16
 D-32758 Detmold
 Germany
 Fon: +49 5231 1429-0
 Fax: +49 5231 14292083
 www.weidmueller.com

Drawings



terminal coding

