

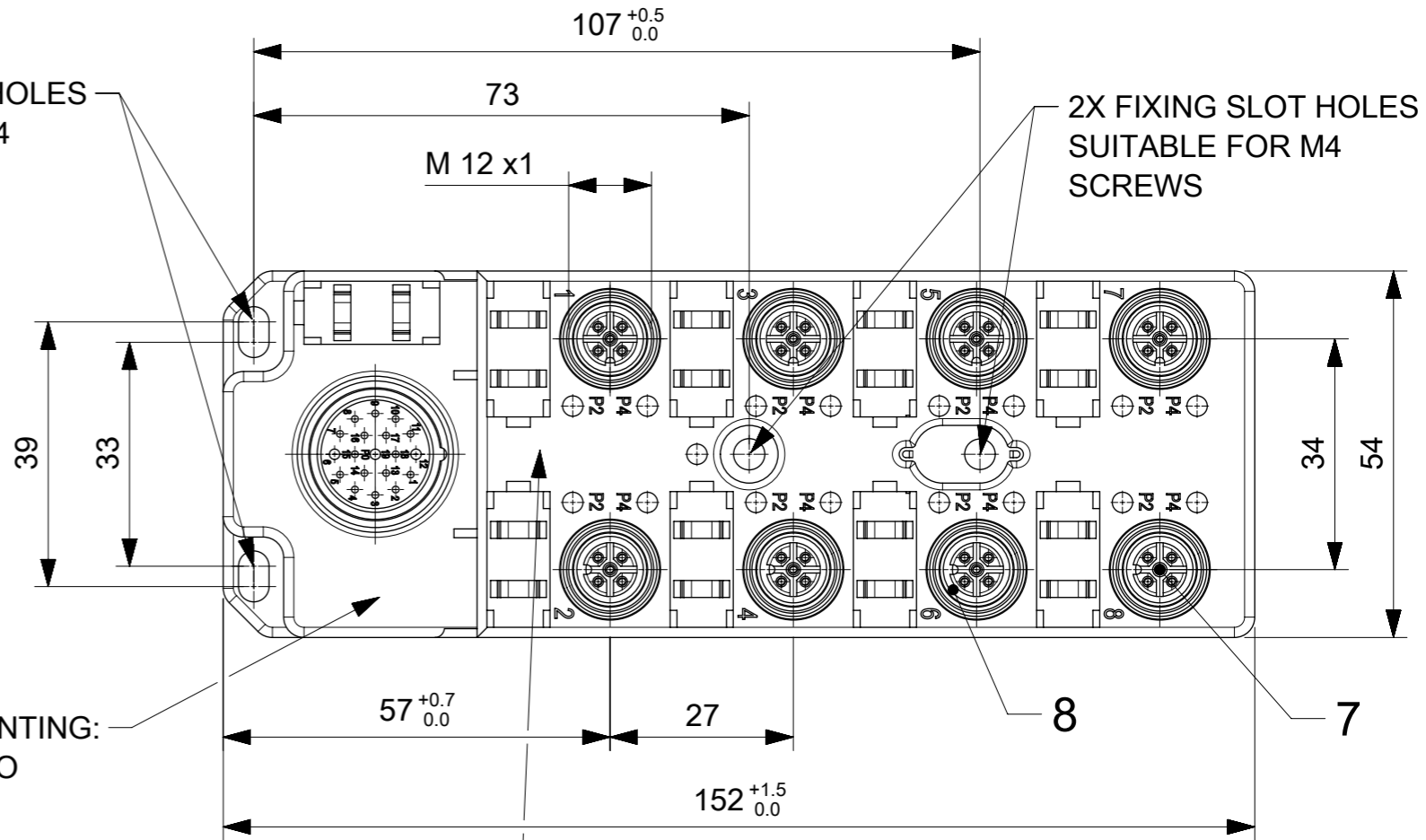
**TABLE 1**

MOLEX P/N	ENG. NO.	LED
1202480065	BTB8030-FBC	NO
1202480066	BTB803P-FBC	YES
1202480136	BTB803N-FBC	YES

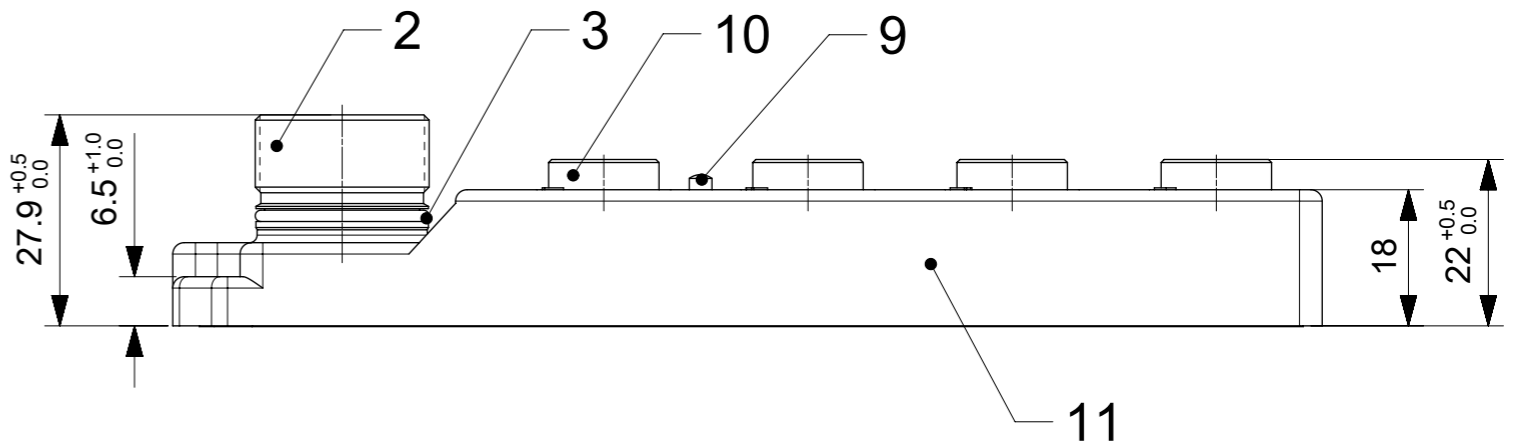
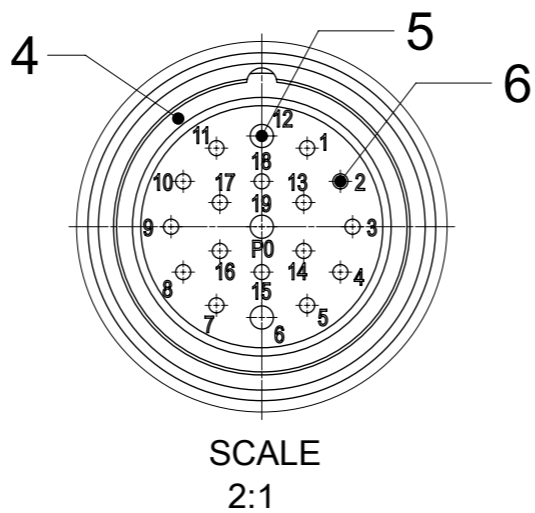
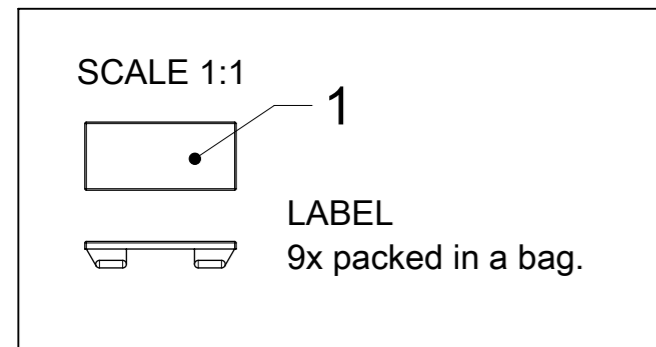
**TABLE 2 BILL OF MATERIAL**

ITEM	DESCRIPTION	MATERIAL	FINISH
1	LABEL	ABS	WHITE
2	SHELL	BRASS	NICKEL PLATED
3	O-RING	NBR	BLACK
4	O-RING	NBR	BLACK
5	CONTACT	BRASS	GOLD OVER NICKEL
6	CONTACT	BRASS	GOLD OVER NICKEL
7	CONTACT	BRONZE	GOLD OVER NICKEL
8	O-RING	FPM	RED
9	LED	NO LED = PA	BLACK
		WITH LED = PA	TRANSPARENT
10	SHELL	BRASS	NICKEL PLATED
11	HOUSING	PBT	BLACK

2X FIXING SLOT HOLES  
SUITABLE FOR M4  
SCREWS



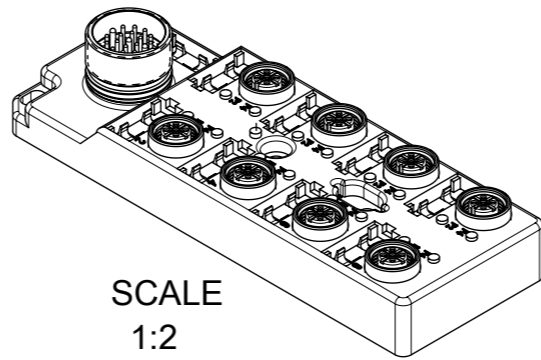
LASER PRINTING:  
PN: 120248XXXX  
ENG.: BTB803X-FBC  
PO: XXXXXXXXX



**GENERAL CHARACTERISTICS:**

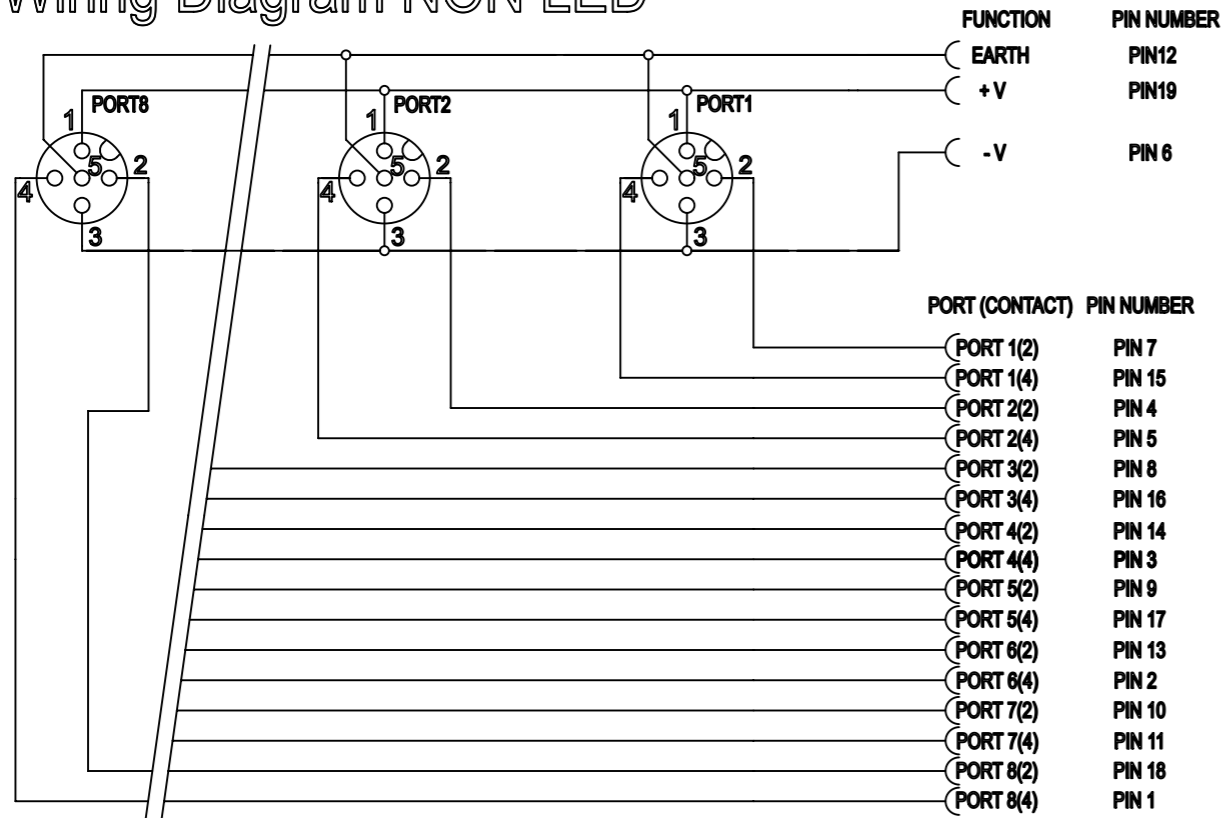
ELECTRICAL AND MECHANICAL DATA ACC. TO IEC 61076-2-101

NOMINAL VOLTAGE: 10-30 V DC  
 AMPERE RATING: 4 A PER PORT / 12 A MAX  
 AMPERE RATING WITH UL REGISTRATION: 3 A PER PORT / 9 A MAX  
 IP DEGREE OF PROTECTION: IP 67  
 TEMPERATURE RANGE: -25°C to + 85°C

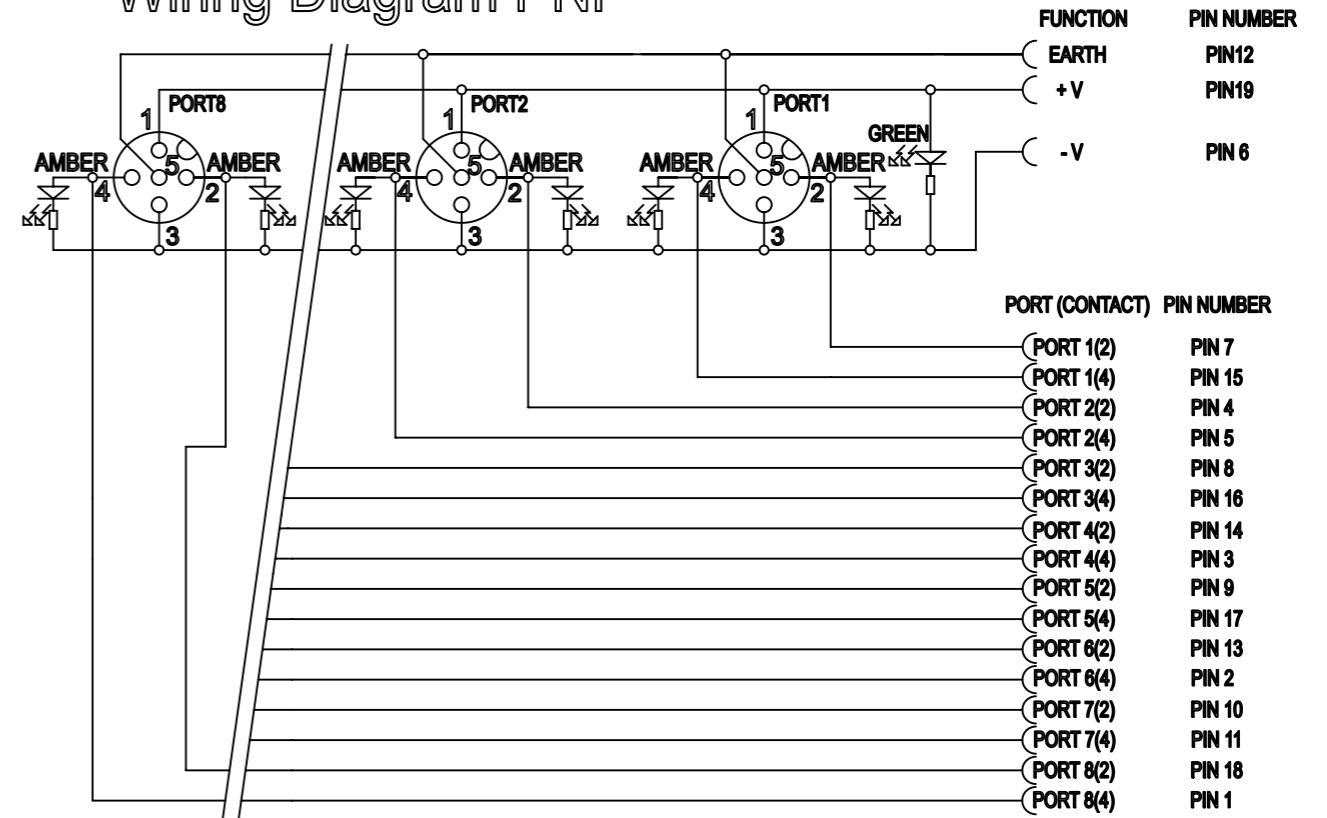


SYMBOLS		THIS DRAWING CONTAINS INFORMATION THAT IS PROPRIETARY TO MOLEX ELECTRONIC TECHNOLOGIES, LLC AND SHOULD NOT BE USED WITHOUT WRITTEN PERMISSION					
DIMENSION UNITS	SCALE	CURRENT REV DESC: LASER PRINT UPDATE					
mm		<b>molex</b> MPIS M12 PNP NPN NOS 5P 8PT 19P M23 BK DUAL					
GENERAL TOLERANCES (UNLESS SPECIFIED)							
ANGULAR TOL	± °	EC NO: 606042 DRWN: SSM 2018/08/31 CHK'D: RSILLER 2018/10/18 APPR: RSILLER 2018/10/18					
4 PLACES	±						
3 PLACES	±	INITIAL REVISION: DRWN: AAHLERS 2015/04/02 APPR: RSILLER 2015/05/20					
2 PLACES	±						
1 PLACE	±	PRODUCT CUSTOMER DRAWING DOCUMENT NUMBER: 1202480065 DOC TYPE: PSD DOC PART: 000 REVISION: B					
0 PLACES	± 0.25						
DRAFT WHERE APPLICABLE MUST REMAIN WITHIN DIMENSIONS		THIRD ANGLE PROJECTION	DRAWING: A3-SIZE	SERIES: 120248	MATERIAL NUMBER: SEE TABLE 1	CUSTOMER: GENERAL MARKET	SHEET NUMBER: 1 OF 2

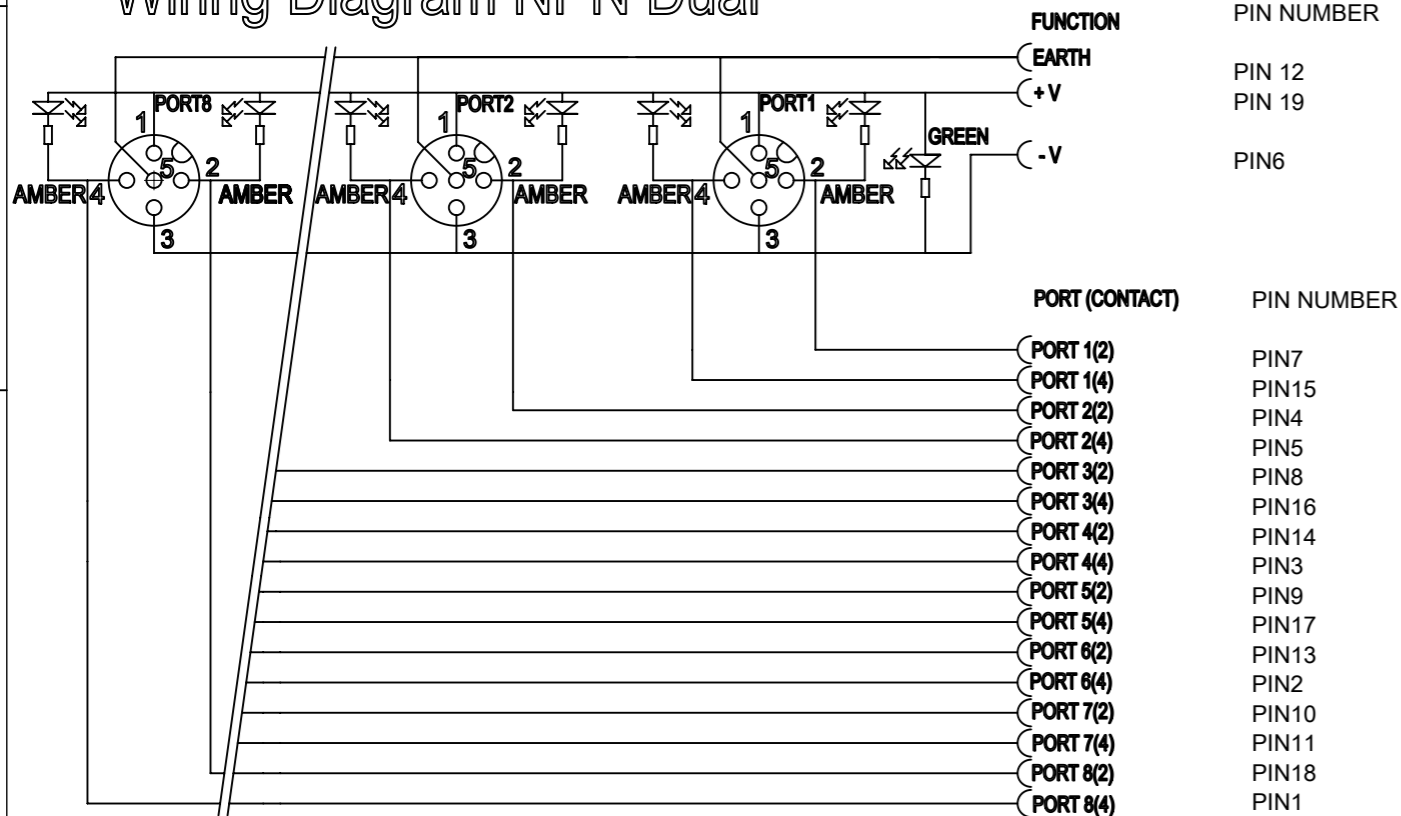
# Wiring Diagram NON LED



# Wiring Diagram PNP



# Wiring Diagram NPN Dual



SYMBOLS	THIS DRAWING CONTAINS INFORMATION THAT IS PROPRIETARY TO MOLEX ELECTRONIC TECHNOLOGIES, LLC AND SHOULD NOT BE USED WITHOUT WRITTEN PERMISSION		CURRENT REV DESC: LASER PRINT UPDATE		<b>molex</b>
	DIMENSION UNITS	SCALE			
▽ = 0	mm			EC NO: 606042	PRODUCT CUSTOMER DRAWING
▽ = 0	GENERAL TOLERANCES (UNLESS SPECIFIED)		DRWN: SSM	2018/08/31	
▽ = 0	ANGULAR TOL ± °		CHK'D: RSILLER	2018/10/18	DOCUMENT NUMBER
▽ = 0	4 PLACES ±		APPR: RSILLER	2018/10/18	
▽ = 0	3 PLACES ±		INITIAL REVISION:		DOC TYPE
▽ = 0	2 PLACES ±		DRWN: AAHLERS	2015/04/02	DOC PART
▽ = 0	1 PLACE ±		APPR: RSILLER	2015/05/20	REVISION
▽ = 0	0 PLACES ± 0.25		DRAFT WHERE APPLICABLE MUST REMAIN WITHIN DIMENSIONS		000
□ = 0	THIRD ANGLE PROJECTION		DRAWING	SERIES	B
▽ = 0	A3-SIZE		120248	MATERIAL NUMBER	SHEET NUMBER
		SEE TABLE 1	GENERAL MARKET	2 OF 2	