

Distributor - SAC-ASI-J-Y-B-FFKDS - 1407579


Please be informed that the data shown in this PDF Document is generated from our Online Catalog. Please find the complete data in the user's documentation. Our General Terms of Use for Downloads are valid (<http://phoenixcontact.com/download>)



AS-Interface distributor, for a branch from two flat-ribbon conductors to two double spring-cage terminal blocks



Key Commercial Data

Packing unit	1 pc
GTIN	 4 046356 779999
GTIN	4046356779999

Technical data

Ambient conditions

Degree of protection	IP20
Ambient temperature (operation)	-25 °C ... 75 °C
Ambient temperature (storage/transport)	-25 °C ... 85 °C

General data

Rated current at 40°C	4 A
Rated voltage	≤ 32 V DC
Number of positions	4
Overvoltage category	III
Degree of pollution	3
Connection method	AS-i penetration technique
Connection cross section AWG	24 ... 16 (without ferrule)
Conductor cross section	0.2 mm ² ... 1.5 mm ² (without ferrule)

Characteristics head 1

Head type	Load center AS-i Screw locking
No. of positions (pin connector pattern)	4
Material (component)	CuSn (Contact)

Distributor - SAC-ASI-J-Y-B-FFKDS - 1407579

Technical data

Characteristics head 1

	Ni/Au (Contact surface)
	PBT (Contact carriers)
	PBT (Housing)
	Stainless steel (Screw connection)
Torque	1.65 Nm (Locking screw)

Characteristics head 2

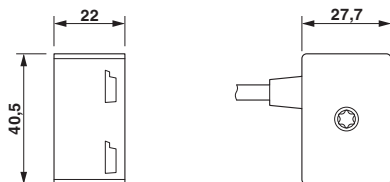
Head type	Spring-cage terminal block straight
No. of positions (pin connector pattern)	4
Material (component)	CuSn (Contact)
	tin-plated (Contact surface)
	PA (Contact carriers)

Environmental Product Compliance

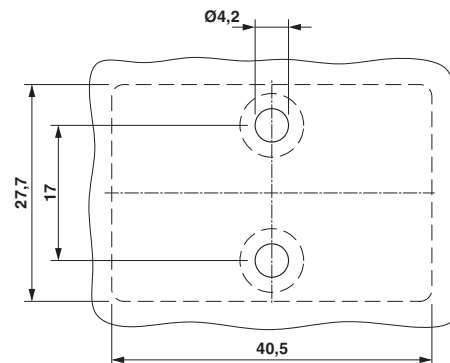
REACH SVHC	Lead 7439-92-1
China RoHS	Environmentally Friendly Use Period = 50 years
	For details about hazardous substances go to tab "Downloads", Category "Manufacturer's declaration"

Drawings

Dimensional drawing



Dimensional drawing

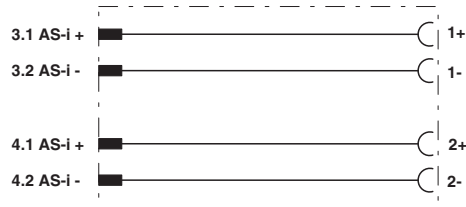


Distributor, AS-Interface

Distance and position of the mounting holes

Distributor - SAC-ASI-J-Y-B-FFKDS - 1407579

Circuit diagram



Contact assignment of the AS-Interface distributor

Classifications

eCl@ss

eCl@ss 10.0.1	27440106
eCl@ss 11.0	27440106
eCl@ss 4.0	27060700
eCl@ss 4.1	27060700
eCl@ss 5.0	27400200
eCl@ss 5.1	27250300
eCl@ss 6.0	27279200
eCl@ss 7.0	27440104
eCl@ss 9.0	27440106

ETIM

ETIM 3.0	EC000516
ETIM 4.0	EC000516
ETIM 6.0	EC002925
ETIM 7.0	EC002925

UNSPSC

UNSPSC 6.01	31261501
UNSPSC 7.0901	31261501
UNSPSC 11	31261501
UNSPSC 12.01	31261501
UNSPSC 13.2	31261501
UNSPSC 19.0	31251501
UNSPSC 20.0	31251501
UNSPSC 21.0	31251501

Approvals

Approvals

Distributor - SAC-ASI-J-Y-B-FFKDS - 1407579

Approvals

Approvals

EAC / EAC

Ex Approvals

Approval details

EAC		RU C- DE.BL08.B.00286
-----	--	--------------------------

EAC		RU C- DE.BL08.B.00511
-----	--	--------------------------

Accessories

Accessories

Screwdriver tools

Screwdriver - SZK PH2 VDE - 1205163



Screwdriver, PH crosshead, VDE insulated, size: PH 2 x 100 mm, 2-component grip, with non-slip grip

Sensor/actuator cable

Sensor/actuator cable - SAC-4P-MS/ 2,0-186 SCO - 1555606



Sensor/actuator cable, 4-position, PUR, black-gray RAL 7021, Plug straight M12 SPEEDCON, coding: A, on free cable end, cable length: 2 m

Sensor/actuator cable - SAC-4P-MS/ 5,0-186 SCO - 1555619



Sensor/actuator cable, 4-position, PUR, black-gray RAL 7021, Plug straight M12 SPEEDCON, coding: A, on free cable end, cable length: 5 m

Distributor - SAC-ASI-J-Y-B-FFKDS - 1407579

Accessories

Sensor/actuator cable - SAC-4P-MS/10,0-186 SCO - 1555622



Sensor/actuator cable, 4-position, PUR, black-gray RAL 7021, Plug straight M12 SPEEDCON, coding: A, on free cable end, cable length: 10 m

Sensor/actuator cable - SAC-4P-MS/15,0-186 SCO - 1555635



Sensor/actuator cable, 4-position, PUR, black-gray RAL 7021, Plug straight M12 SPEEDCON, coding: A, on free cable end, cable length: 15 m

Sensor/actuator cable - SAC-4P- 2,0-186/FS SCO - 1555648



Sensor/actuator cable, 4-position, PUR, black-gray RAL 7021, free cable end, on Socket straight M12 SPEEDCON, coding: A, cable length: 2 m

Sensor/actuator cable - SAC-4P- 5,0-186/FS SCO - 1555651



Sensor/actuator cable, 4-position, PUR, black-gray RAL 7021, free cable end, on Socket straight M12 SPEEDCON, coding: A, cable length: 5 m

Sensor/actuator cable - SAC-4P-10,0-186/FS SCO - 1555664



Sensor/actuator cable, 4-position, PUR, black-gray RAL 7021, free cable end, on Socket straight M12 SPEEDCON, coding: A, cable length: 10 m

Distributor - SAC-ASI-J-Y-B-FFKDS - 1407579

Accessories

Sensor/actuator cable - SAC-4P-15,0-186/FS SCO - 1555677



Sensor/actuator cable, 4-position, PUR, black-gray RAL 7021, free cable end, on Socket straight M12 SPEEDCON, coding: A, cable length: 15 m

Phoenix Contact 2021 © - all rights reserved
<http://www.phoenixcontact.com>

PHOENIX CONTACT GmbH & Co. KG
Flachsmarktstr. 8
32825 Blomberg
Germany
Tel. +49 5235 300
Fax +49 5235 3 41200
<http://www.phoenixcontact.com>