

97mm Mecanum Wheel kits

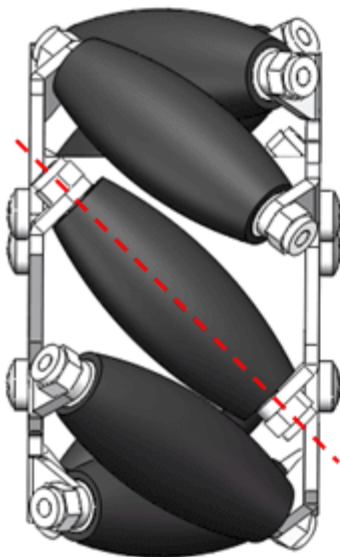
SKU 114090045

The Mecanum wheel is a special kind of wheel that can be moved in different ways by controlling the direction and speed of the four wheels.

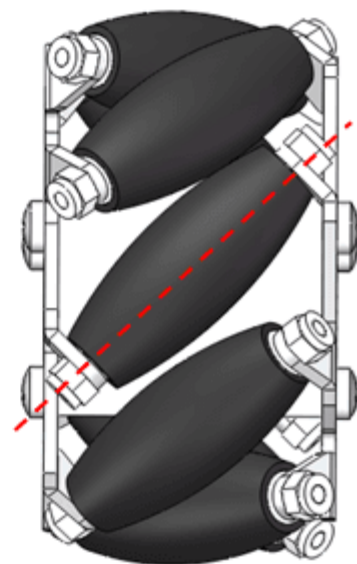
You can try to DIY a Mecanum wheel car and try to control him by programming. You can see that he can move freely, whether it is a horizontal translation or straight walking, it can be easily solved.

You can DIY your car by learning the contents of the [wiki](#).

The Mecanum wheel is one design for a wheel which can move a vehicle in any direction. It is a conventional wheel with a series of rollers attached to its circumference. These rollers each have an axis of rotation at 45° to the plane of the wheel and at 45° to a line through the center of the roller parallel to the axis of rotation of the wheel. There are two types of Mecanum wheels, left-handed and right-handed Mecanum wheel; the difference between them is the orientation of rollers. For left-handed Mecanum wheel, as shown below, rollers are orientated from lower right to the upper left. Rollers for right-handed wheels are installed in the opposite way.

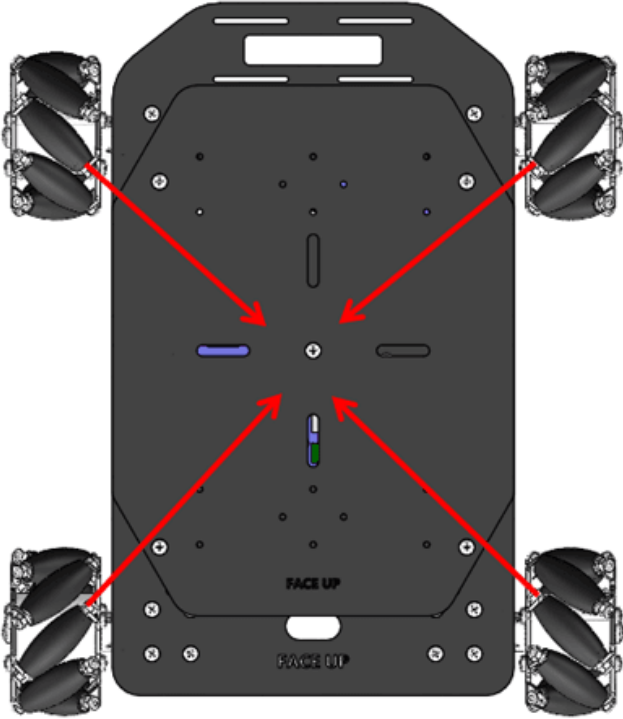


Left Mecanum Wheel



Right Mecanum Wheel

The installation of the 4WD Mecanum Wheel kit should demand some carefulness. A correct configuration requires each of four wheels is set in the way as shown below, where the rotation axis of each wheel's top roller points to the center of the platform.



Installation of the Wheels

Product picture is as follows:





Part List

- 2 x Left Mecanum Wheel Φ 97mm (plastic)
- 2 x Right Mecanum Wheel Φ 97mm (plastic)
- 4 x Brass coupling
- 1 x Screw pack
- 1 x Allen wrench

ECCN/HTS

ECCN	ERA99
HSCODE	9023009000
UPC	