

Design multi-tone sounder / Multi-t.sounder 140  
**Multi-t.sounder WM 32 tne 9-28VDC RD**



Part No.: 140.150.50



#### MECHANICAL DATA

|                              |                             |
|------------------------------|-----------------------------|
| Height                       | 110 mm                      |
| Diameter                     | 100 mm                      |
| Materials                    | PC/ABS                      |
| Housing colour               | Red                         |
| Protection category          | IP65                        |
| Connection                   | Screw terminals             |
| cross-sectional area maximum | 2,50mm <sup>2</sup> / 14AWG |
| Cable entry                  | Through hole                |
| Type of fixing               | Wall mounting               |
| Working temperature minimum  | -40°C                       |
| Working temperature maximum  | +70°C                       |
| Weight with packaging        | 310 g                       |
| Product weight               | 272 g                       |

#### ELECTRICAL DATA

|                             |                    |
|-----------------------------|--------------------|
| Operating voltage           | 9-28V              |
| Operating voltage type      | DC                 |
| Operating voltage tolerance | +/- 0%             |
| Rated operational voltage   | 24 VDC             |
| Rated operational current   | 120 mA             |
| Rated inrush current        | 1.400 mA           |
| Protection class            | Protection class 2 |
| Pollution degree            | 3                  |

#### ACUSTICAL DATA

|                             |                 |
|-----------------------------|-----------------|
| Volume (max) at 1m distance | 115,0 dB (A)    |
| Acoustic signal image       | Multi-tone      |
| Number of tones             | 32 tone         |
| Acoustic service life       | 5,000 h minimum |

#### APPROVAL DATA

|                             |     |
|-----------------------------|-----|
| Conforms with CE            | Yes |
| WEEE                        | Yes |
| Conform with ATEX-directive | No  |
| Conforms with CCC           | No  |
| Conforms with UL            | No  |
| Conforms with FCC           | No  |
| Conforms with IC            | No  |
| EAC certificate available   | Yes |

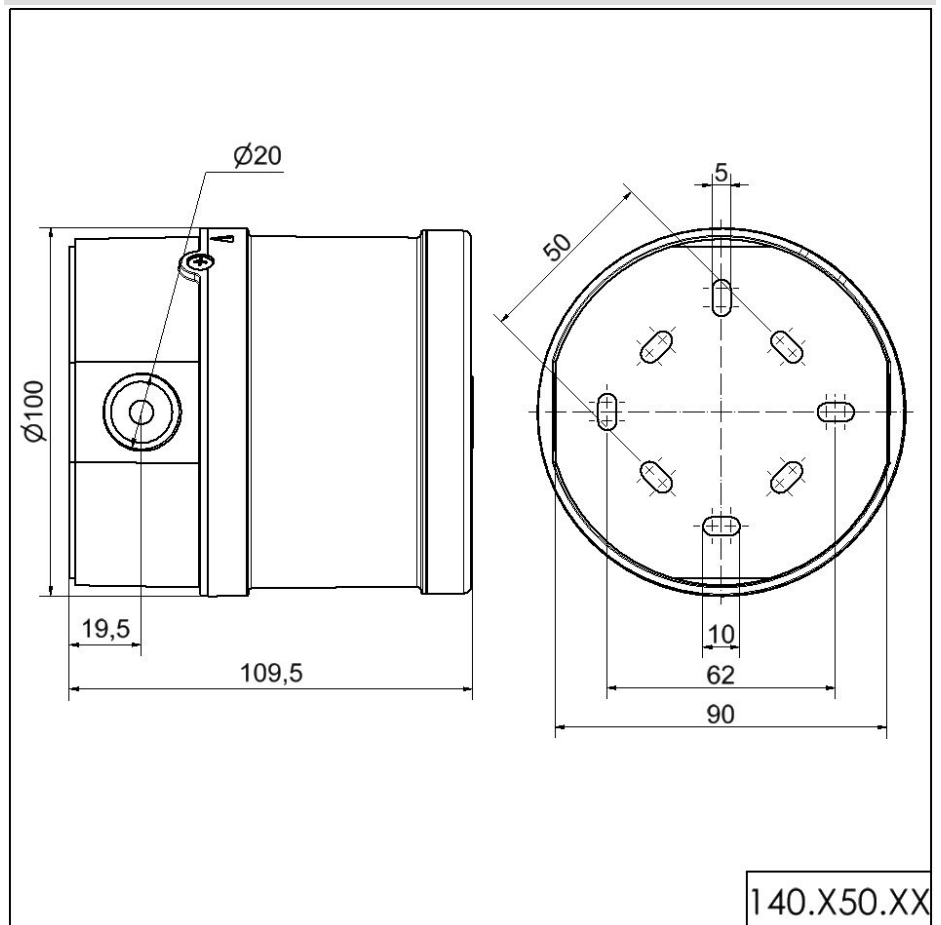


For additional installation and mounting information, refer to the appropriate user guide at [www.werma.com](http://www.werma.com). This printed copy is for information only and is subject to alteration.

Design multi-tone sounder / Multi-t.sounder 140  
**Multi-t.sounder WM 32 tne 9-28VDC RD**

|                               |                       |
|-------------------------------|-----------------------|
| Conforms with UKCA (Importer) | Yes (WERMA (UK) Ltd.) |
| Conforms with AS-I            | No                    |
| ICAO Certification            | No                    |
| Conforms with GL              | No                    |
| Conforms with RoHS CN         | No                    |
| Conforms with VdS             | No                    |

**DRAWING**



**!** For additional installation and mounting information, refer to the appropriate user guide at [www.werma.com](http://www.werma.com). This printed copy is for information only and is subject to alteration.