

Installation / LED/Buzzer 150

**Siren BWM Contin. tone 48VAC**

Part No.: 153.000.66

**MECHANICAL DATA**

Length	85 mm
Width	85 mm
Height	72 mm
Materials	PC PP-GF
Housing colour	Black
Protection category	IP66
Connection	Screw terminals
cross-sectional area maximum	1,50mm <sup>2</sup> / 16AWG
Cable entry	Membrane grommet
Cable entry minimum	d = 1 mm
Cable entry maximum	d = 8 mm
Type of fixing	Base mounting Wall mounting
Working temperature minimum	-25°C
Working temperature maximum	+50°C
Weight with packaging	179 g
Product weight	149 g

**ELECTRICAL DATA**

Operating voltage	48V
Operating voltage type	AC
Operating voltage frequency	50Hz
Operating voltage tolerance	+/- 10%
Rated operational voltage	48 VAC
Rated operational current	150 mA
Rated inrush current	7.000 mA
Protection class	Protection class 2
Pollution degree	3

**ACUSTICAL DATA**

Volume (max) at 1m distance	105,0 dB (A)
Number of tones	1 tone
Acoustic service life	5,000 h minimum

**APPROVAL DATA**

Conforms with CE	Yes
WEEE	Yes
Conform with ATEX-directive	No
Conforms with CCC	No



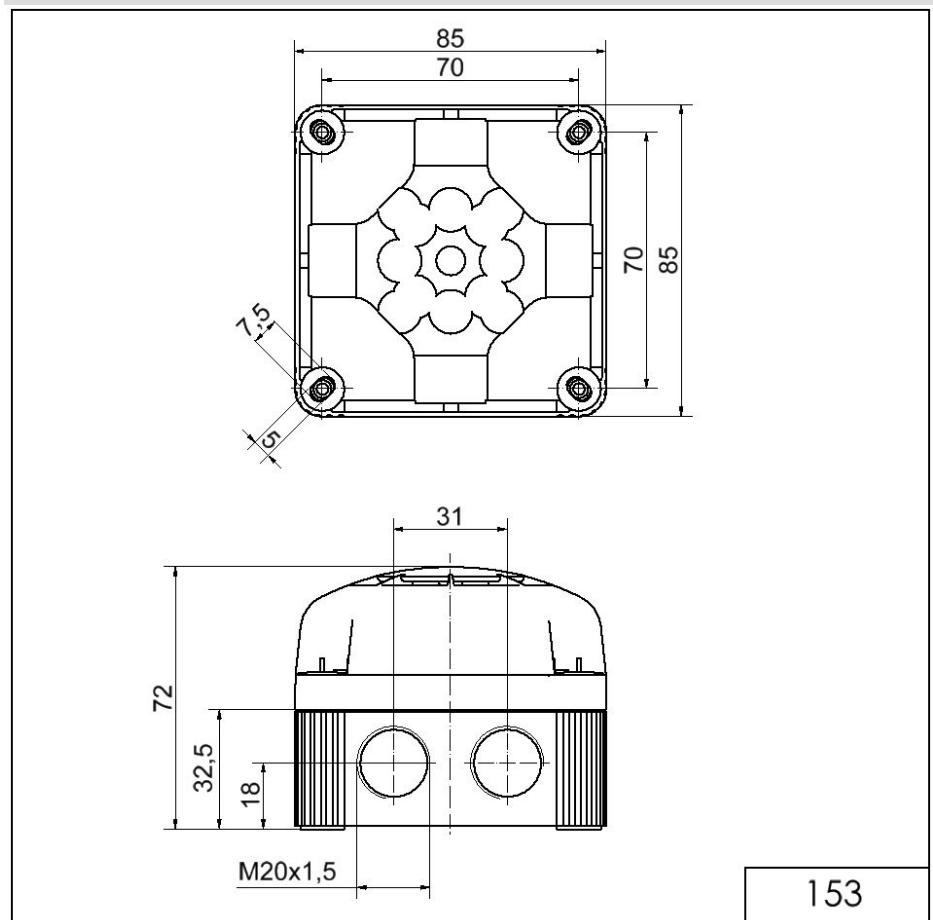
For additional installation and mounting information, refer to the appropriate user guide at [www.werma.com](http://www.werma.com). This printed copy is for information only and is subject to alteration.

Installation / LED/Buzzer 150

**Siren BWM Contin. tone 48VAC**

Conforms with UL	No
Conforms with FCC	No
Conforms with IC	No
EAC certificate available	Yes
Conforms with AS-I	No
ICAO Certification	No
Conforms with GL	No
Conforms with RoHS CN	No
Conforms with VdS	No

**DRAWING**



! For additional installation and mounting information, refer to the appropriate user guide at [www.werma.com](http://www.werma.com). This printed copy is for information only and is subject to alteration.