

EvoSIGNAL / EvoSIGNAL Accessories

**Mini Tube Adaptor RM GY**



Part No.: 260.700.05



**MECHANICAL DATA**

Height	60 mm
Diameter	62 mm
Materials	PC/ABS
Housing colour	Grey
Protection category	IP66
Cable entry	Through hole
Cable entry maximum	d = 9 mm
Type of fixing	Tube mounting
Working temperature minimum	-30°C
Working temperature maximum	+60°C
Weight with packaging	44 g
Product weight	40 g

**ELECTRICAL DATA**

Pollution degree	3
------------------	---

**APPROVAL DATA**

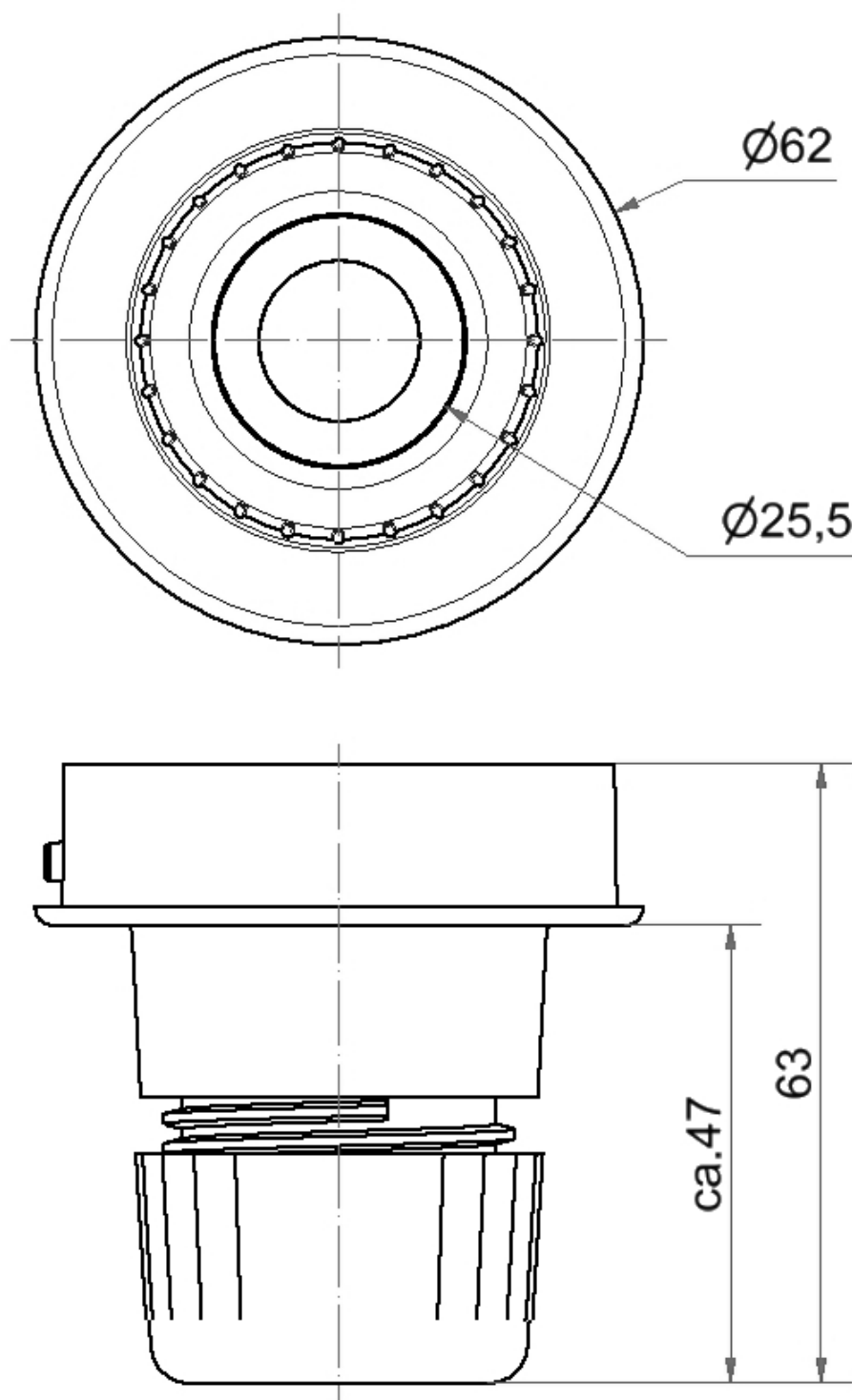
Conforms with CE	No
WEEE	No
Conforms with RED directive	No
Conform with ATEX-directive	No
Conforms with CCC	No
Conforms with UL	cULus
UL Type Rating	Type 12
Conforms with FCC	No
Conforms with IC	No
EAC certificate available	Yes
Conforms with AS-I	No
ICAO Certification	No
Conforms with GL	No
Conforms with RoHS CN	No
Conforms with VdS	No

! For additional installation and mounting information, refer to the appropriate user guide at [www.werma.com](http://www.werma.com). This printed copy is for information only and is subject to alteration.

EvoSIGNAL / EvoSIGNAL Accessories

**Mini Tube Adaptor RM GY**

## DRAWING



For additional installation and mounting information, refer to the appropriate user guide at [www.werma.com](http://www.werma.com). This printed copy is for information only and is subject to alteration.