

EvoSIGNAL / EvoSIGNAL Accessories

**Midi Horn Bracket WM GY**



Part No.: 261.700.03



| MECHANICAL DATA             |                  |
|-----------------------------|------------------|
| Length                      | 93 mm            |
| Width                       | 85 mm            |
| Height                      | 170 mm           |
| Materials                   | PC/ABS           |
| Housing colour              | Grey             |
| Protection category         | IP66             |
| Cable entry                 | Membrane grommet |
| Cable entry maximum         | d = 9 mm         |
| Type of fixing              | Wall mounting    |
| Working temperature minimum | -30°C            |
| Working temperature maximum | +60°C            |
| Weight with packaging       | 136 g            |
| Product weight              | 136 g            |

| ELECTRICAL DATA  |   |
|------------------|---|
| Pollution degree | 3 |

| APPROVAL DATA               |     |
|-----------------------------|-----|
| Conforms with CE            | No  |
| WEEE                        | No  |
| Conforms with RED directive | No  |
| Conform with ATEX-directive | No  |
| Conforms with CCC           | No  |
| Conforms with UL            | No  |
| Conforms with FCC           | No  |
| Conforms with IC            | No  |
| EAC certificate available   | Yes |
| Conforms with AS-I          | No  |
| ICAO Certification          | No  |
| Conforms with GL            | No  |
| Conforms with RoHS CN       | No  |
| Conforms with VdS           | No  |

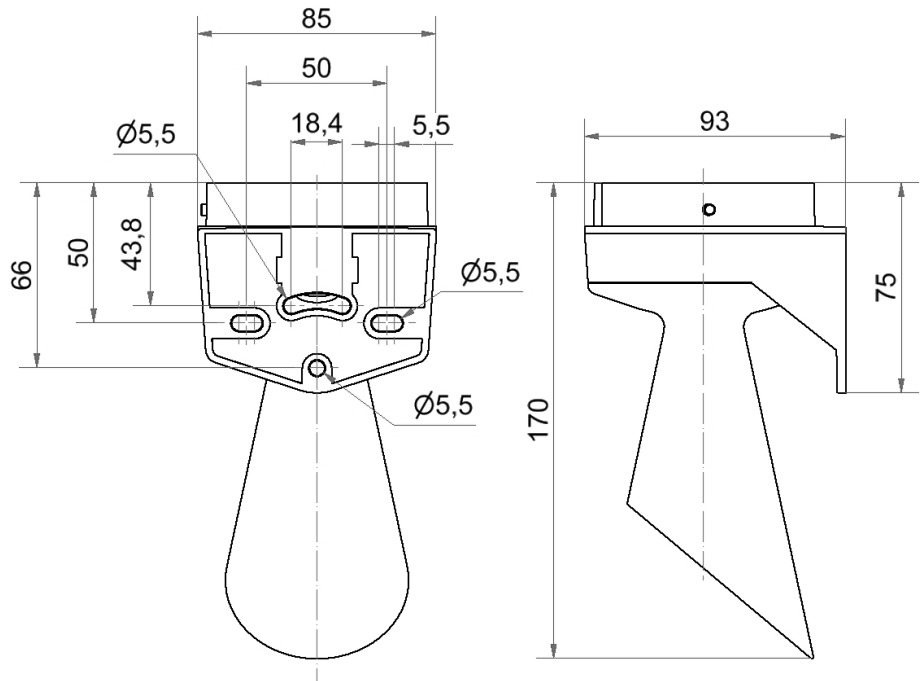


For additional installation and mounting information, refer to the appropriate user guide at [www.werma.com](http://www.werma.com). This printed copy is for information only and is subject to alteration.

EvoSIGNAL / EvoSIGNAL Accessories

**Midi Horn Bracket WM GY**

**DRAWING**



**!** For additional installation and mounting information, refer to the appropriate user guide at [www.werma.com](http://www.werma.com). This printed copy is for information only and is subject to alteration.