

FlexSQUARE / LED EVS Beacon 853  
**LED EVS Beacon BWM 12VDC CL**



Part No.: 853.420.54



| MECHANICAL DATA              |                                |
|------------------------------|--------------------------------|
| Length                       | 85 mm                          |
| Width                        | 85 mm                          |
| Height                       | 72 mm                          |
| Materials                    | PC<br>PP-GF                    |
| Dome colour                  | Clear                          |
| Housing colour               | Black                          |
| Protection category          | IP66<br>IP67                   |
| Connection                   | Screw terminals                |
| cross-sectional area maximum | 1,50mm <sup>2</sup> / 16AWG    |
| Cable entry                  | Membrane grommet               |
| Cable entry minimum          | d = 1 mm<br>d = 6 mm           |
| Cable entry maximum          | d = 12 mm<br>d = 9 mm          |
| Type of fixing               | Base mounting<br>Wall mounting |
| Working temperature minimum  | -25°C                          |
| Working temperature maximum  | +50°C                          |
| Weight with packaging        | 166 g                          |
| Product weight               | 136 g                          |

| ELECTRICAL DATA             |                    |
|-----------------------------|--------------------|
| Operating voltage           | 12V                |
| Operating voltage type      | DC                 |
| Operating voltage tolerance | +/- 10%            |
| Rated operational voltage   | 12 VDC             |
| Rated operational current   | 400 mA             |
| Rated inrush current        | 750 mA             |
| Protection class            | Protection class 2 |
| Pollution degree            | 3                  |

| OPTICAL DATA         |                  |
|----------------------|------------------|
| Light source         | LED              |
| Light colour         | White            |
| Optical signal image | EVS              |
| Service life optical | 50,000 h maximum |

**APPROVAL DATA**

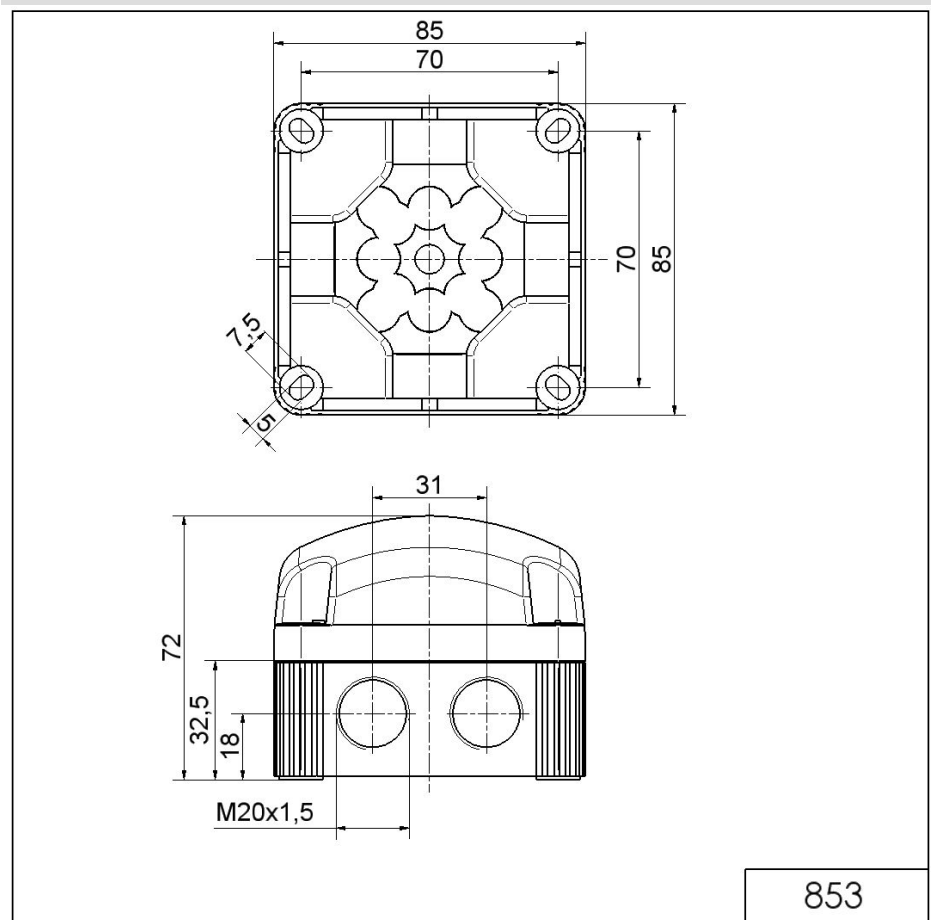
! For additional installation and mounting information, refer to the appropriate user guide at [www.werma.com](http://www.werma.com). This printed copy is for information only and is subject to alteration.

FlexSQUARE / LED EVS Beacon 853

**LED EVS Beacon BWM 12VDC CL**

|                             |     |
|-----------------------------|-----|
| Conforms with CE            | Yes |
| WEEE                        | Yes |
| Conform with ATEX-directive | No  |
| Conforms with CCC           | No  |
| Conforms with UL            | No  |
| Conforms with FCC           | No  |
| Conforms with IC            | No  |
| EAC certificate available   | Yes |
| Conforms with AS-I          | No  |
| ICAO Certification          | No  |
| Conforms with GL            | No  |
| Conforms with RoHS CN       | No  |
| Conforms with VdS           | No  |

**DRAWING**



! For additional installation and mounting information, refer to the appropriate user guide at [www.werma.com](http://www.werma.com). This printed copy is for information only and is subject to alteration.