

KombiSIGN 50 / Accessories

Bracket for base mount. BWM BK



Part No.: 960.000.01

MECHANICAL DATA	
Length	88 mm
Width	70 mm
Height	57 mm
Diameter	70 mm
Materials	PA-GF
Housing colour	Black
Weight with packaging	57 g
Product weight	57 g

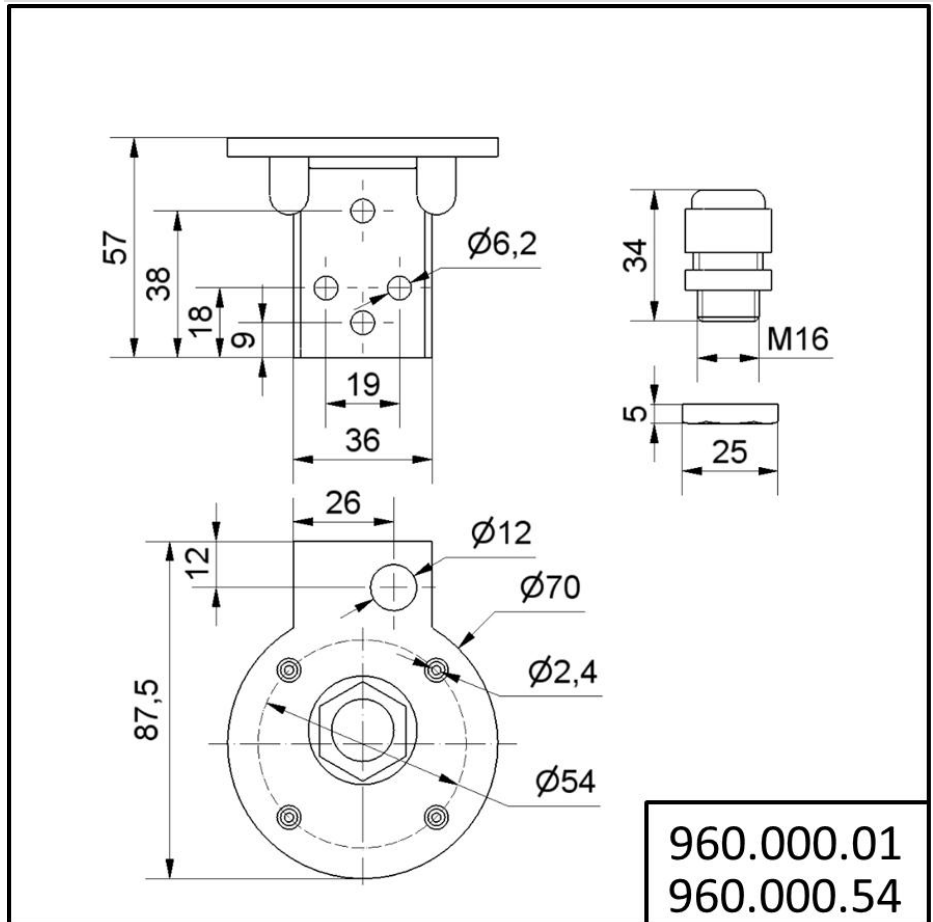
APPROVAL DATA	
WEEE	No
Conforms with RED directive	No
Conform with ATEX-directive	No
Conforms with CCC	No
Conforms with UL	No
Conforms with FCC	No
Conforms with IC	No
EAC certificate available	No
Conforms with AS-I	No
ICAO Certification	No
Conforms with GL	No
Conforms with RoHS CN	No

! For additional installation and mounting information, refer to the appropriate user guide at www.werma.com. This printed copy is for information only and is subject to alteration.

KombiSIGN 50 / Accessories

Bracket for base mount. BWM BK

DRAWING



For additional installation and mounting information, refer to the appropriate user guide at www.werma.com. This printed copy is for information only and is subject to alteration.