

KombiSIGN 70 / Accessories

**Bracket for wall mount. BK**



**Part No.:** 960.000.02

**MECHANICAL DATA**

Length	77 mm
Width	55 mm
Height	57 mm
Diameter	55 mm
Materials	PA-GF
Housing colour	Black
Weight with packaging	43 g
Product weight	40 g

**APPROVAL DATA**

WEEE	No
Conforms with RED directive	No
Conform with ATEX-directive	No
Conforms with CCC	No
Conforms with UL	No
Conforms with FCC	No
Conforms with IC	No
EAC certificate available	No
Conforms with AS-I	No
ICAO Certification	No
Conforms with GL	No
Conforms with RoHS CN	No

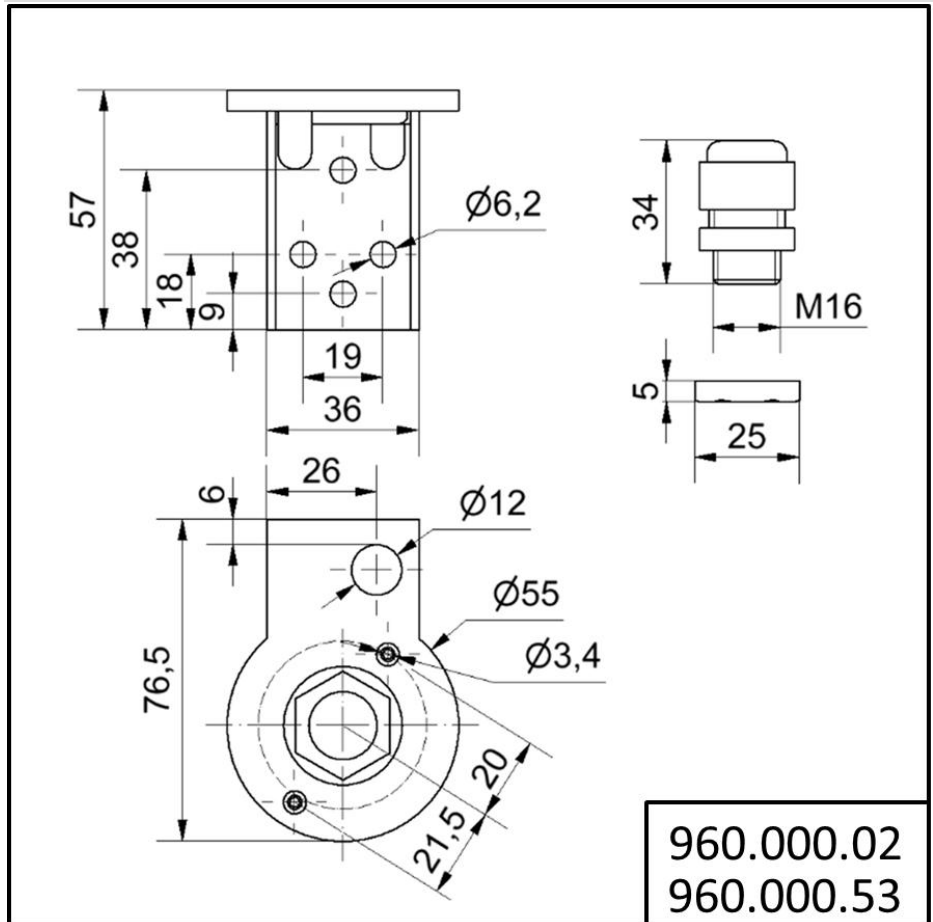


For additional installation and mounting information, refer to the appropriate user guide at [www.werma.com](http://www.werma.com). This printed copy is for information only and is subject to alteration.

KombiSIGN 70 / Accessories

**Bracket for wall mount. BK**

**DRAWING**



! For additional installation and mounting information, refer to the appropriate user guide at [www.werma.com](http://www.werma.com). This printed copy is for information only and is subject to alteration.