

Systems for optimising production / Accessories
Base for tube D25mm, pl. GY



Part No.: 960.000.50

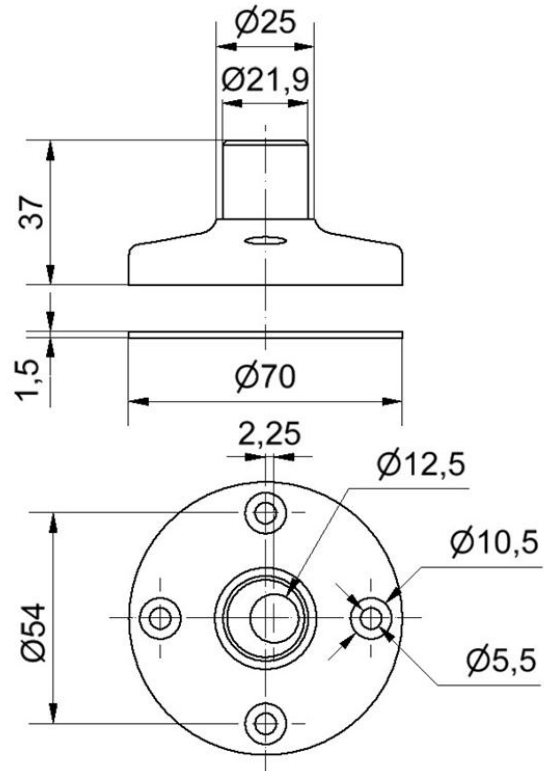
MECHANICAL DATA	
Height	37 mm
Diameter	70 mm
Materials	PA-GF
Housing colour	Grey
Weight with packaging	43 g
Product weight	43 g

APPROVAL DATA	
Conforms with CE	No
WEEE	No
Conforms with RED directive	No
Conform with ATEX-directive	No
Conforms with CCC	No
Conforms with UL	No
Conforms with FCC	No
Conforms with IC	No
EAC certificate available	No
Conforms with AS-I	No
ICAO Certification	No
Conforms with GL	No
Conforms with RoHS CN	No



For additional installation and mounting information, refer to the appropriate user guide at www.werma.com. This printed copy is for information only and is subject to alteration.

Systems for optimising production / Accessories

Base for tube D25mm, pl. GY**DRAWING**

For additional installation and mounting information, refer to the appropriate user guide at www.werma.com. This printed copy is for information only and is subject to alteration.