

Systems for optimising production / Accessories  
**Bracket for base mount. GY**



**Part No.:** 960.000.54

<b>MECHANICAL DATA</b>	
Length	70 mm
Width	88 mm
Height	57 mm
Diameter	71 mm
Materials	PA-GF
Housing colour	Grey
Weight with packaging	60 g
Product weight	60 g

<b>APPROVAL DATA</b>	
Conforms with CE	No
WEEE	No
Conforms with RED directive	No
Conform with ATEX-directive	No
Conforms with CCC	No
Conforms with UL	No
Conforms with FCC	No
Conforms with IC	No
EAC certificate available	No
Conforms with AS-I	No
ICAO Certification	No
Conforms with GL	No
Conforms with RoHS CN	No

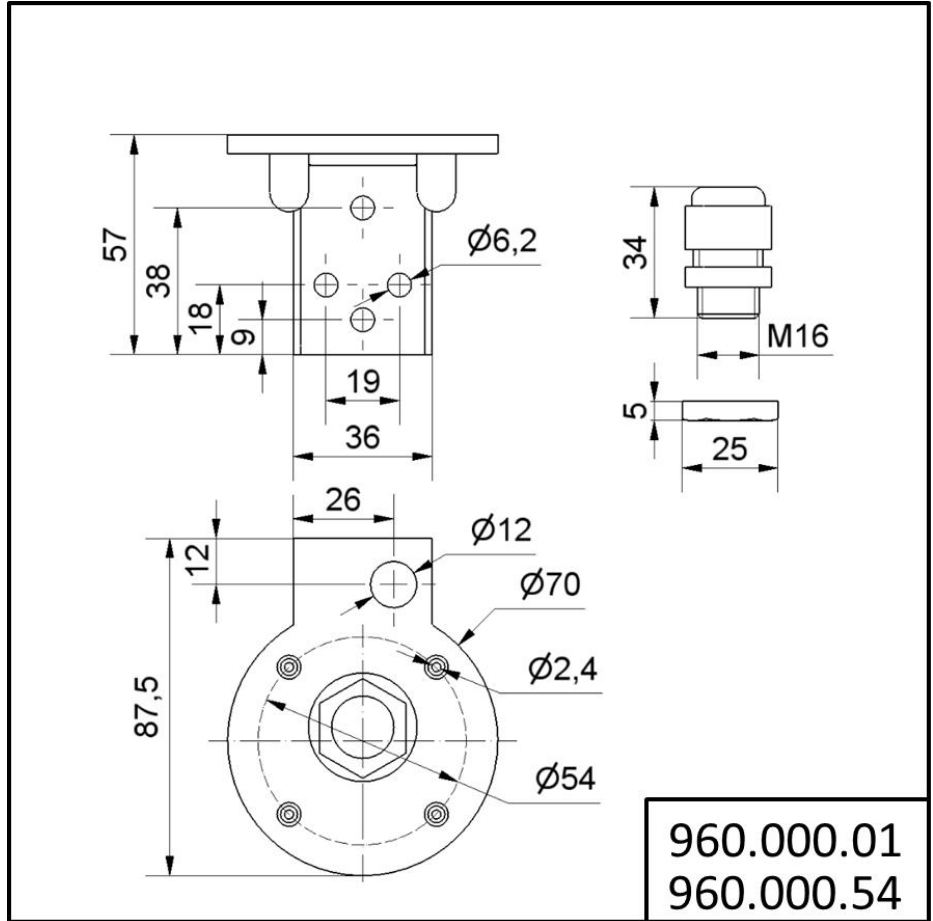


For additional installation and mounting information, refer to the appropriate user guide at [www.werma.com](http://www.werma.com). This printed copy is for information only and is subject to alteration.

Systems for optimising production / Accessories

**Bracket for base mount. GY**

**DRAWING**



! For additional installation and mounting information, refer to the appropriate user guide at [www.werma.com](http://www.werma.com). This printed copy is for information only and is subject to alteration.