

KombiSIGN 70 / Accessories

Adapter for tube D25mm 1/2 Inch thread**Part No.:** 975.840.02**MECHANICAL DATA**

Height	44 mm
Diameter	27 mm
Materials	Steel
Weight with packaging	81 g
Product weight	81 g

APPROVAL DATA

Conforms with CE	No
WEEE	No
Conforms with RED directive	No
Conform with ATEX-directive	No
Conforms with CCC	No
Conforms with UL	No
Conforms with FCC	No
Conforms with IC	No
EAC certificate available	No
Conforms with AS-I	No
ICAO Certification	No
Conforms with GL	No
Conforms with RoHS CN	No

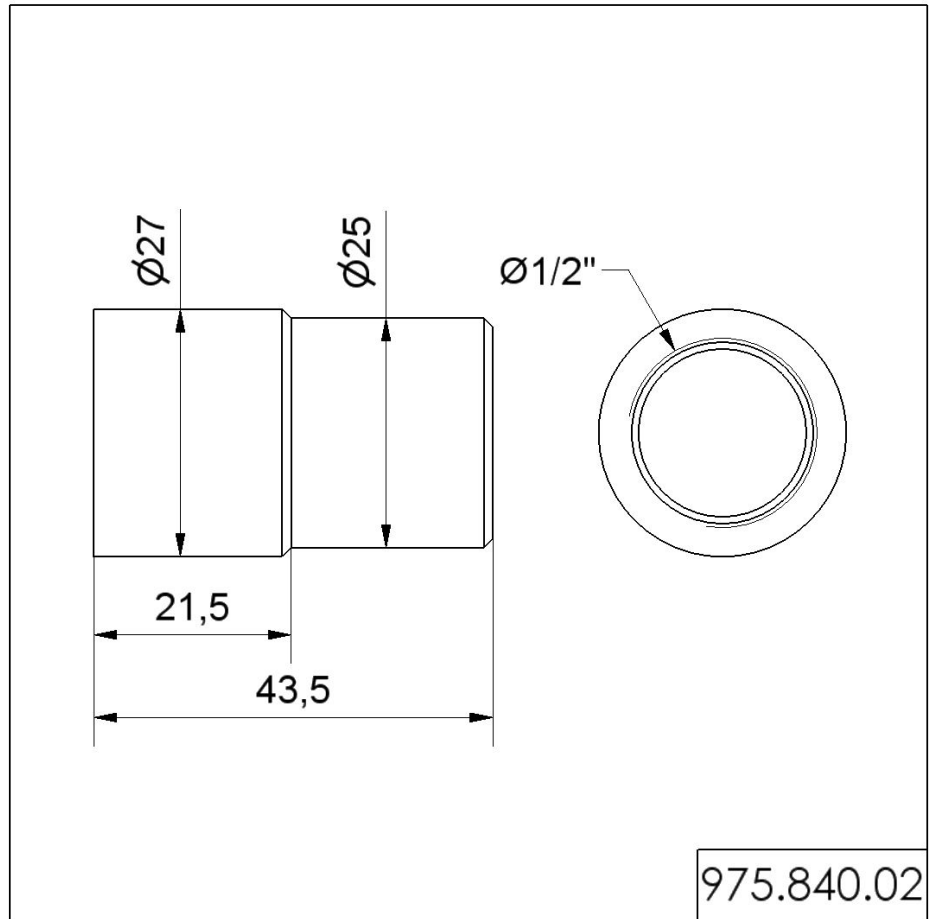


For additional installation and mounting information, refer to the appropriate user guide at www.werma.com. This printed copy is for information only and is subject to alteration.

KombiSIGN 70 / Accessories

Adapter for tube D25mm 1/2 Inch thread

DRAWING



975.840.02



For additional installation and mounting information, refer to the appropriate user guide at www.werma.com. This printed copy is for information only and is subject to alteration.