

KombiSIGN 70 / Accessories

Base w. integrated tube BK



Part No.: 975.840.10

MECHANICAL DATA

| | |
|-----------------------|--------|
| Height | 110 mm |
| Diameter | 70 mm |
| Materials | PA-GF |
| Housing colour | Black |
| Weight with packaging | 49 g |
| Product weight | 43 g |

APPROVAL DATA

| | |
|-----------------------------|----|
| WEEE | No |
| Conforms with RED directive | No |
| Conform with ATEX-directive | No |
| Conforms with CCC | No |
| Conforms with UL | No |
| Conforms with FCC | No |
| Conforms with IC | No |
| EAC certificate available | No |
| Conforms with AS-I | No |
| ICAO Certification | No |
| Conforms with GL | No |
| Conforms with RoHS CN | No |

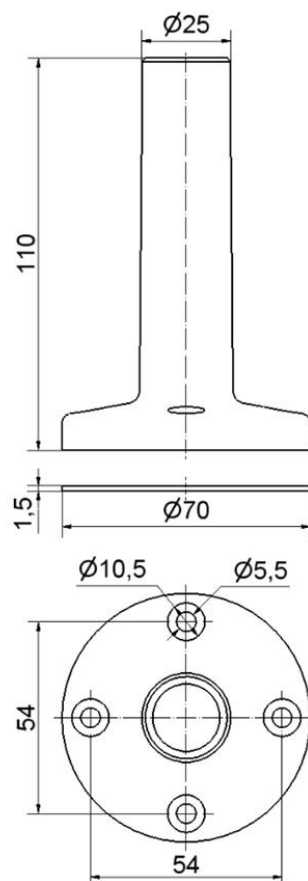


For additional installation and mounting information, refer to the appropriate user guide at www.werma.com. This printed copy is for information only and is subject to alteration.

KombiSIGN 70 / Accessories

Base w. integrated tube BK

DRAWING



For additional installation and mounting information, refer to the appropriate user guide at www.werma.com. This printed copy is for information only and is subject to alteration.