



**Mallory Sonalert Products, Inc.**

Part #: **JR28-R-4MCT1**

# Sales Outline Drawing

Revision: **A**

## Specifications:

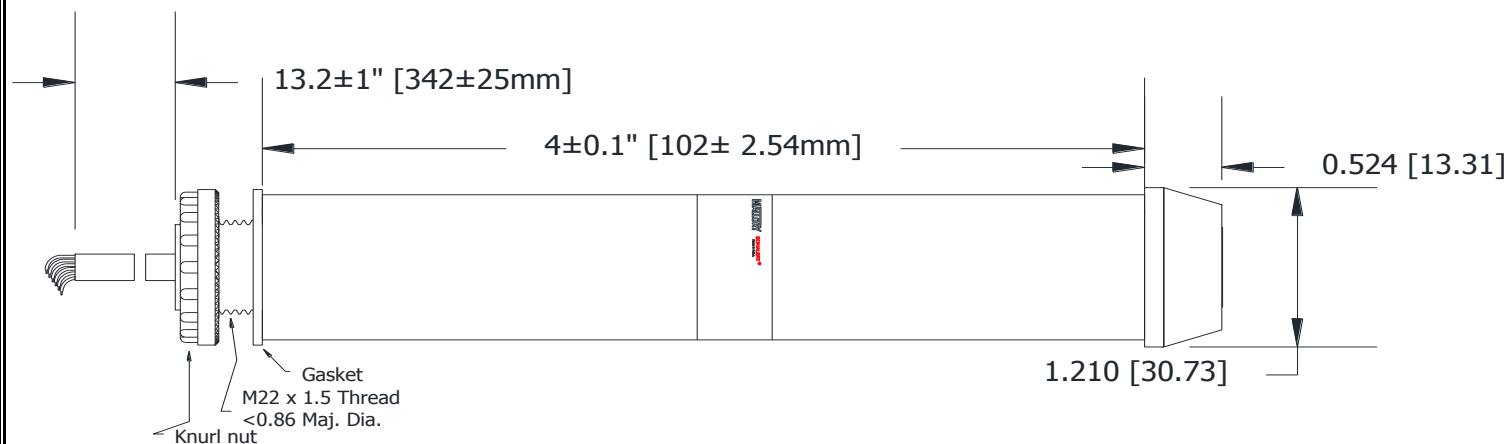
Sound Level Category	Medium
Mode of Operation	Continuous
Voltage Rating	20 to 28 VAC/DC
Frequency	3900 ± 500 Hz
Loudness @ 1M	70 to 75 dB(A) Typ.
Sound Current Draw	40mA MAX
LED Color	RED
LED Current Draw	60mA MAX
Total Max Current Draw	100mA MAX
Housing Material	6/6 Nylon, Color: Black
Top Cap Material	6/6 Nylon, Color: Opaque White
Storage Temperature	-40° to +70° C
Operating Temperature	-30° to +60° C
Mounting	Recommended hole size is 22.5 mm.
Knurled Nut	The max recommended torque is 10 in-lbs.
Cable	Gray, UL Style 21894, 300V, 105°C, 24AWG, Pb-Free Tinned Leads
Weight (Typical)	105 grams
NEMA 12	Approved with use of included gasket.
Options	Please contact factory.

## Dimensions:

Inches (mm)

**cUL Recognized**

**ROHS Compliant**



### Connections:

SOUND    BLACK wire and ORANGE wire to Power  
TOP        BROWN wire and RED wire to Power